

Examples



Click here

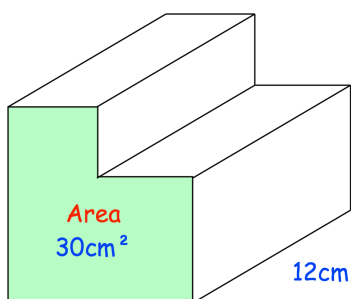


Scan here

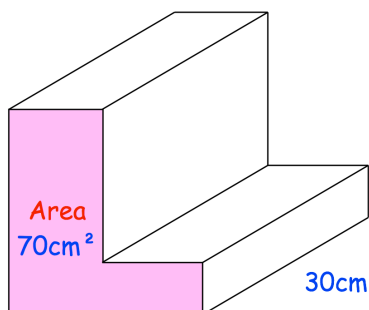
Workout

Question 1: Work out the volume of each of the prisms below.
The area of the front of each prism has been given.

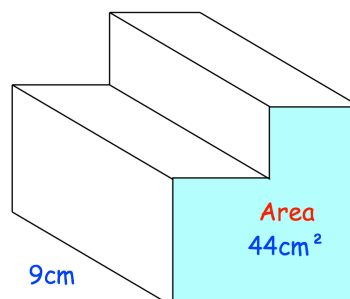
(a)



(b)

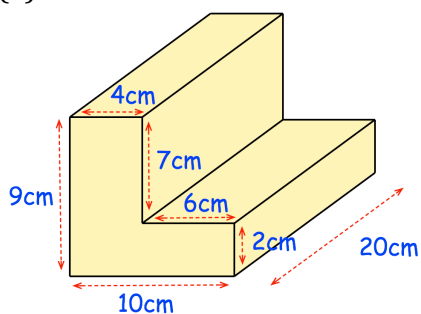


(c)

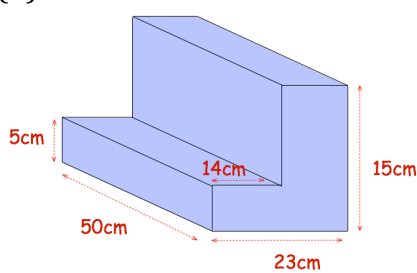


Question 2: Work out the volume of each of the prisms below.

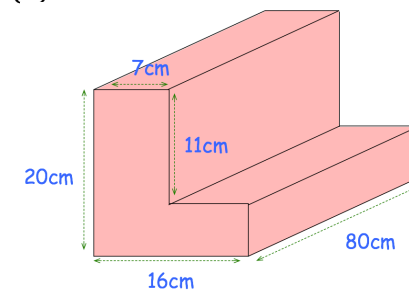
(a)



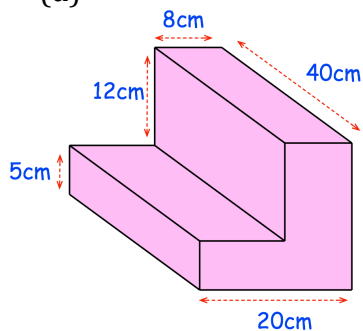
(b)



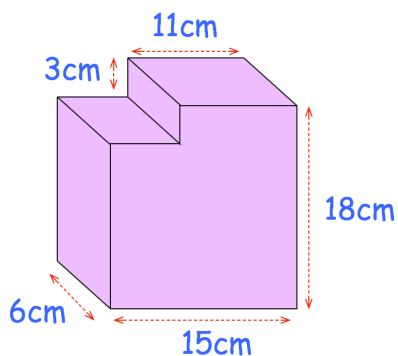
(c)



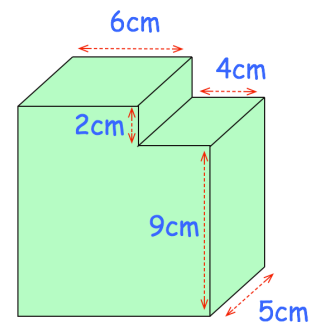
(d)



(e)



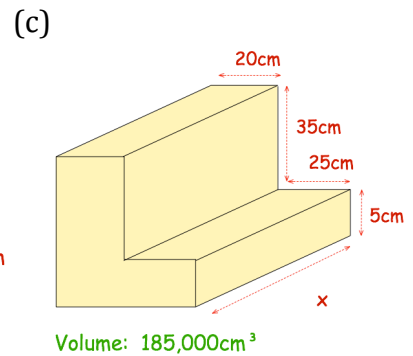
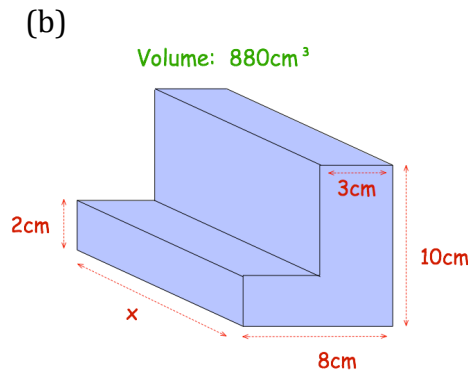
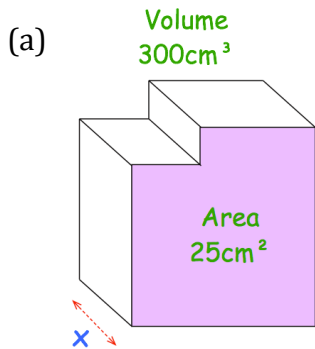
(f)



Volume of an L-Shape Prism

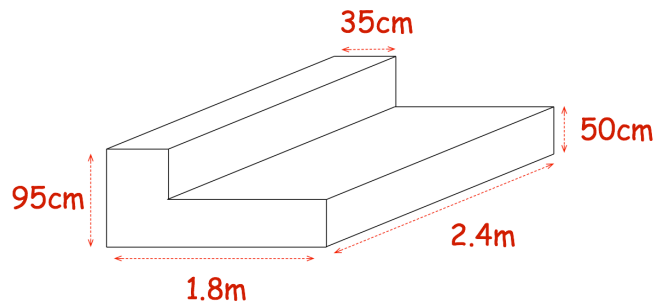
Video 358 on www.corbettmaths.com

Question 3: Work out the length of each of these prisms.

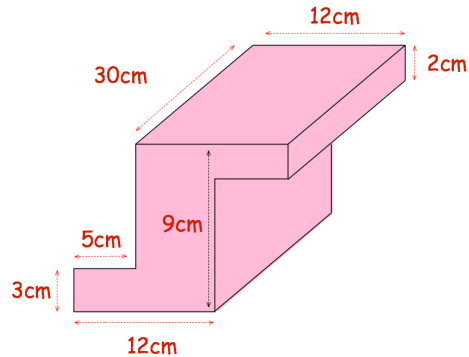


Apply

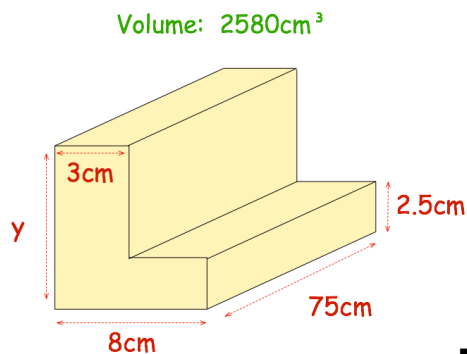
Question 1: Shown below is a prism. Find the volume of the prism. Give your answer in m^3 .



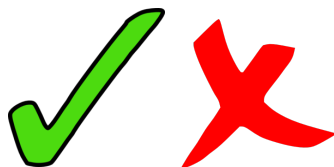
Question 2: Find the volume of the prism.



Question 3: Find y



Answers



Click here



Scan here