

Name: _____

Exam Style Questions



Volume: L-Shaped Prism

Corbettmαths

Ensure you have: Pencil, pen, ruler, protractor, pair of compasses and eraser

You may use tracing paper if needed

Guidance

1. Read each question carefully before you begin answering it.
2. Don't spend too long on one question.
3. Attempt every question.
4. Check your answers seem right.
5. Always show your workings

Revision for this topic

www.corbettmaths.com/contents

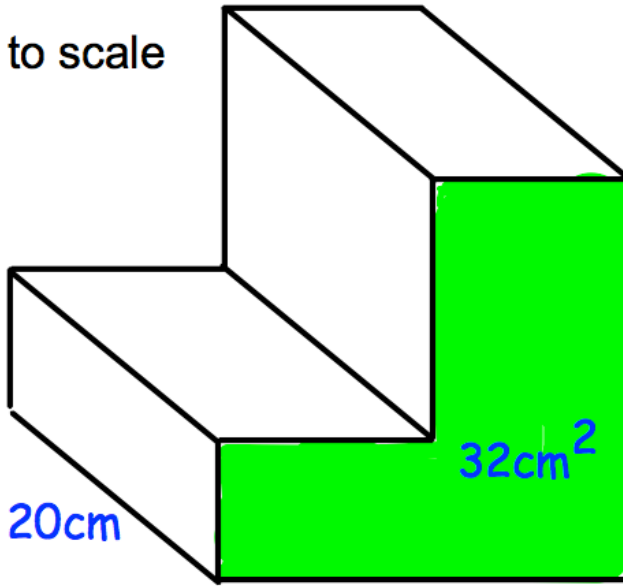
Video 358



1. The diagram shows a prism.



Not to scale

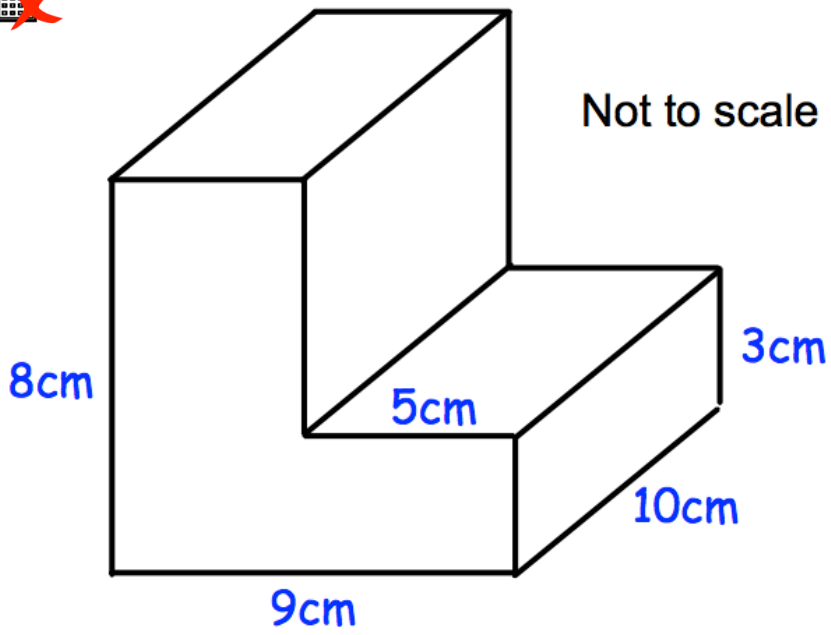


The cross-sectional area is 32cm^2 .

Work out the volume of the prism.

..... cm^3
(2)

2. The diagram shows a prism.



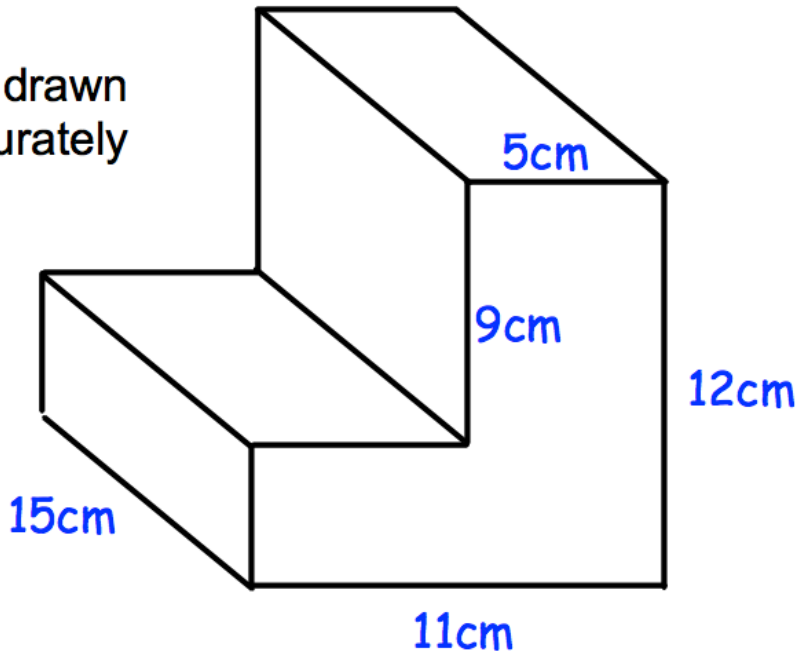
Work out the volume of the prism.

.....cm³
(4)

3. The diagram shows a prism.



Not drawn accurately



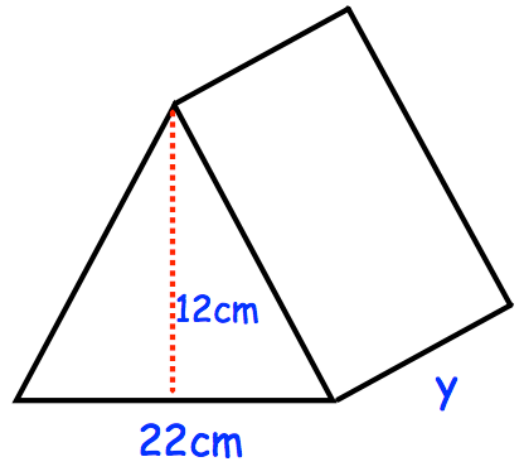
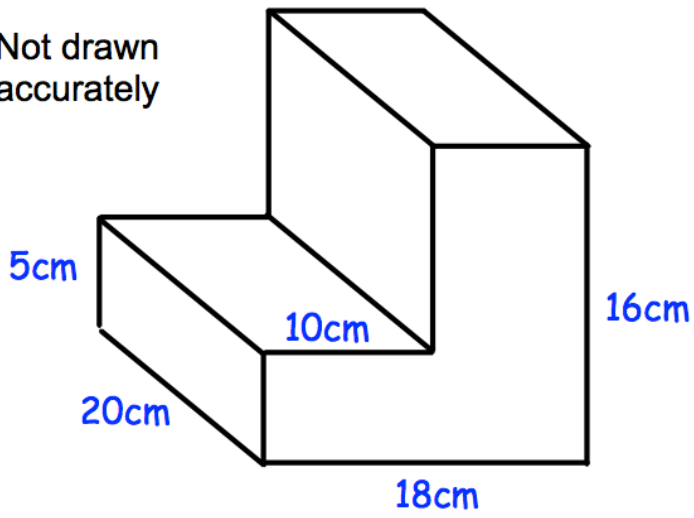
Work out the volume of the prism.

.....cm³
(4)

4. Shown below is an L-shaped prism and a triangular prism.



Not drawn accurately



Both prisms have the same volume.

Calculate y .

.....cm
(6)