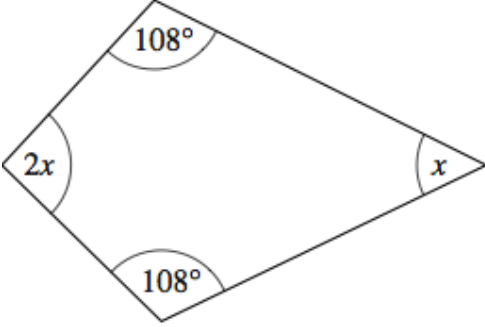
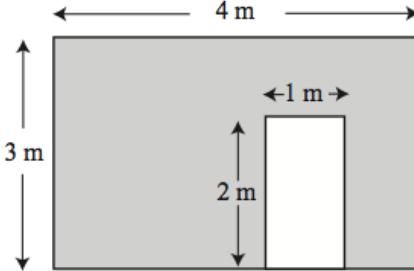


Name: _____

January 5th	5-a-day	Foundation												
<p>Expand and simplify</p> $5(x + 3) + 2(3x + 1)$														
	Calculate x													
<p>Calculate the shaded area</p> 														
<table border="1" data-bbox="188 1350 836 1653"><thead><tr><th>Cost, (£C)</th><th>Frequency</th></tr></thead><tbody><tr><td>$0 < C \leq 50$</td><td>4</td></tr><tr><td>$50 < C \leq 100$</td><td>8</td></tr><tr><td>$100 < C \leq 150$</td><td>7</td></tr><tr><td>$150 < C \leq 200$</td><td>10</td></tr><tr><td>$200 < C \leq 250$</td><td>11</td></tr></tbody></table>	Cost, (£ C)	Frequency	$0 < C \leq 50$	4	$50 < C \leq 100$	8	$100 < C \leq 150$	7	$150 < C \leq 200$	10	$200 < C \leq 250$	11		
Cost, (£ C)	Frequency													
$0 < C \leq 50$	4													
$50 < C \leq 100$	8													
$100 < C \leq 150$	7													
$150 < C \leq 200$	10													
$200 < C \leq 250$	11													
Calculate an estimate for the mean for the table above.														