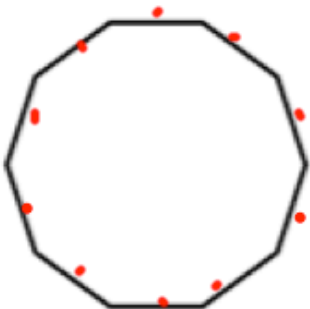
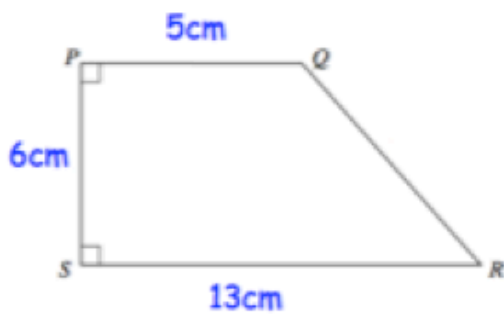
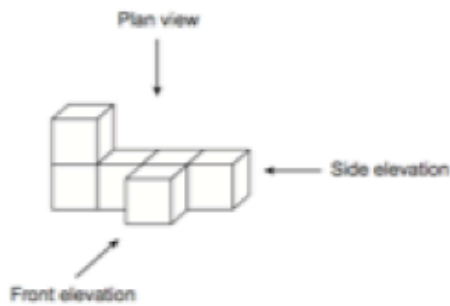


May 21st	5-a-day	Numeracy
	Name this shape	
millimetres kilometres metres centimetres inches		Which of these units is imperial?
Round 394 to the nearest 100		Round 3498 to the nearest 1000
400		3000
312 ÷ 13 24		33 x 17 561
Expand $2w(6 - 5w)$		Expand $a(a + c)$
$12w - 10w^2$		$a^2 + ac$

The n th term of a sequence is $n^2 + 3$

Work out the first 5 terms

4
7
12
19
28

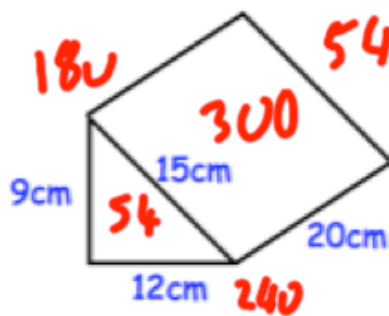


Calculate the area

$$\frac{1}{2}(a+b) \times h$$

$$\frac{1}{2}(5+13) \times 6$$

$$\frac{1}{2}(18) \times 6 = 54 \text{ cm}^2$$



Calculate the surface area

$$300 + 180 + 54 = 534 \text{ cm}^2$$

k is even.

either

$$\frac{1}{2}k + 1$$

Tick the correct box

odd

even

either

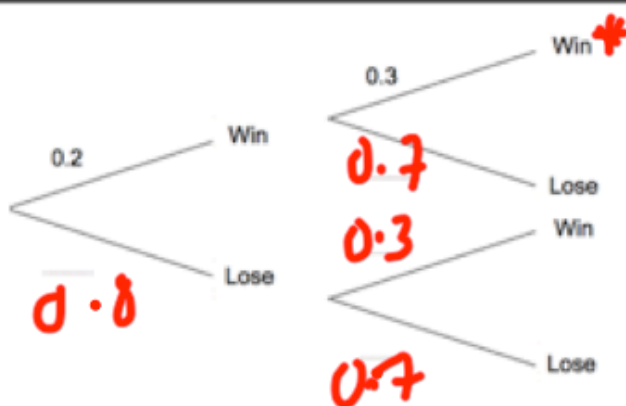
May 21

5-a-day

Higher

Work out the HCF of 28 and 42

14



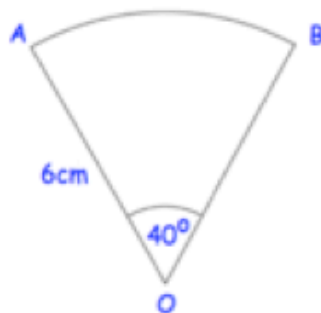
Complete the tree diagram.

What is the probability of 2 wins?

$$0.2 \times 0.3 = 0.06$$

What is the probability of no wins?

$$0.8 \times 0.7 = 0.56$$



Calculate the area of the sector, in terms of pi.

$$\frac{40}{360} \times \pi \times 6^2$$
$$\frac{1}{9} \times \pi \times 36 = 4\pi \text{ cm}^2$$

Expand

$$(x + 2)(x + 3)(x + 6)$$

$$(x^2 + 5x + 6)(x + 6)$$

$$x^3 + 6x^2 + 5x^2 + 30x + 6x + 36$$

$$x^3 + 11x^2 + 36x + 36$$