

Name: \_\_\_\_\_

Exam Style Questions

3D Coordinates



Corbettmαths

Ensure you have: Pencil, pen, ruler, protractor, pair of compasses and eraser

You may use tracing paper if needed

**Guidance**

1. Read each question carefully before you begin answering it.
2. Don't spend too long on one question.
3. Attempt every question.
4. Check your answers seem right.
5. Always show your workings

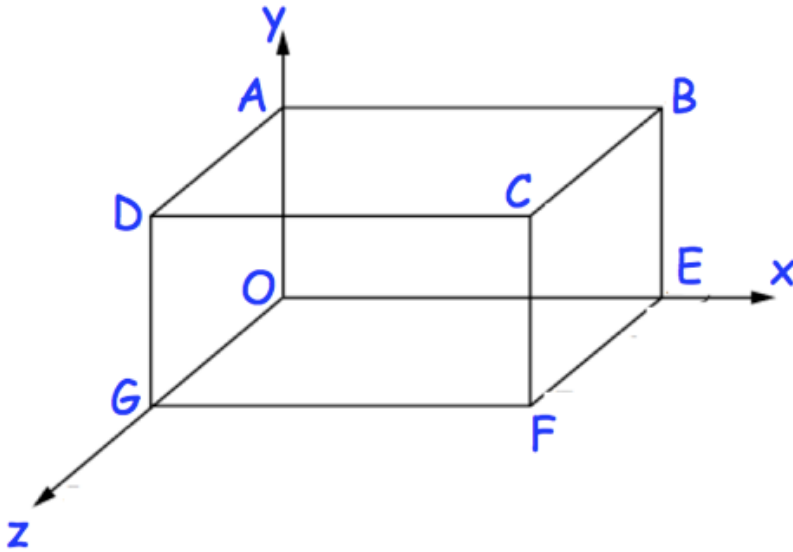
Revision for this topic

Secondary

Video 86



1.



This diagram shows a cuboid drawn on a 3D grid.  
C has coordinates (5, 2, 3).

(a) Write down the coordinates of the point A.

(0, 2, 0)  
(1)

(b) Write down the coordinates of the point F.

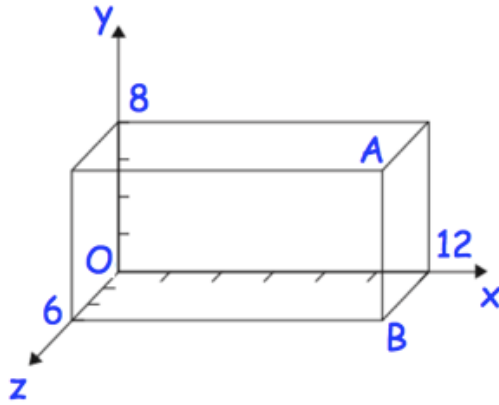
5 0 3  
(1)

The coordinate H is the midpoint of FG.

(c) Write down the coordinates of the point H.

2.5 0 3  
(1)

2. Here is a cuboid drawn on a 3D grid.



(a) Write down the coordinates of the point A.

(12, 8, 6)  
(1)

(b) Write down the coordinates of the point B.

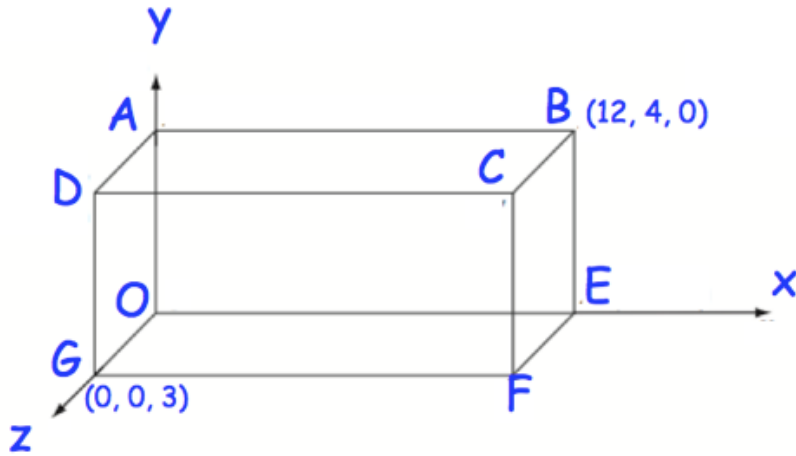
(12, 0, 6)  
(1)

The coordinate C is the midpoint of AB.

(c) Write down the coordinates of the point C.

(12, 4, 6)  
(1)

3. The diagram shows a cuboid on a 3D grid.



- (a) Write down the coordinates of the point C.

(12, 4, 3)  
(....., ....., .....)  
(1)

- (b) Write down the coordinates of the point F.

(12, 0, 3)  
(....., ....., .....)  
(1)

- (c) Write down the coordinates of the midpoint of the line segment BG.

(6, 2, 1.5)  
(....., ....., .....)  
(1)