

Name: _____

Exam Style Questions

Angles: Types, Measuring and
Drawing



Ensure you have: Pencil, pen, ruler, protractor, pair of compasses and eraser

You may use tracing paper if needed

Guidance

1. Read each question carefully before you begin answering it.
2. Don't spend too long on one question.
3. Attempt every question.
4. Check your answers seem right.
5. Always show your workings

Revision for this topic

www.corbettmaths.com/contents

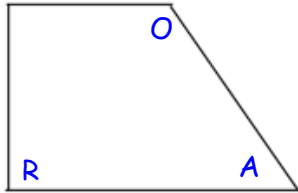
Video 28

Video 31

Video 38



1. Here is a trapezium.



(a) Mark a right angle with a letter R.

(1)

or top left

(b) Mark an acute angle with a letter A.

(1)

(c) Mark an obtuse angle with a letter O.

(1)

2. The clock shows the time, in the evening, James returns from work.



(a) Write down the time shown on the clock.

5:05pm

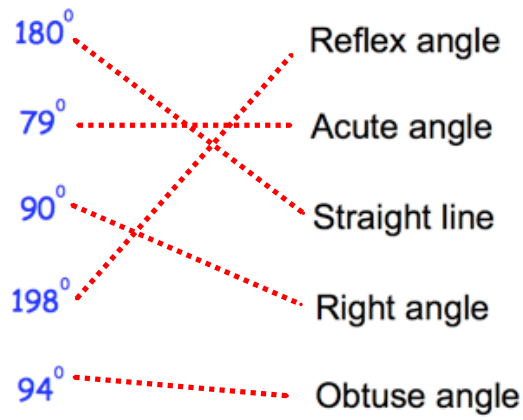
.....
(1)

(b) Circle the type of angle marked between the hour and minute hand.

Acute Right **Obtuse** Reflex

(1)

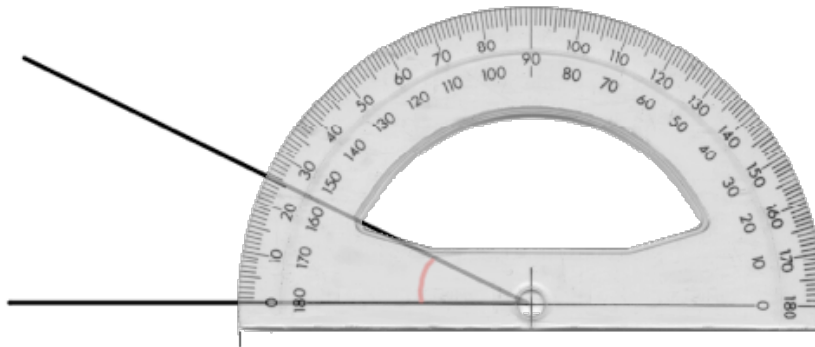
3. Emma measures 5 angles.
Shown below are the measurements and the type of angle.



Match each measurement to the correct type of angle.

(4)

- 4.



Measure the angle shown above.

your answer may vary slightly depending on printing.

25°

(1)

5. Here is a list of words connected with angles.

Acute

Reflex

Obtuse

Right

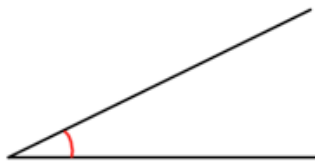
Straight

Full-turn

Choose the correct word to describe each angle.



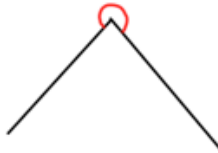
Answer **right** angle



Answer **acute** angle

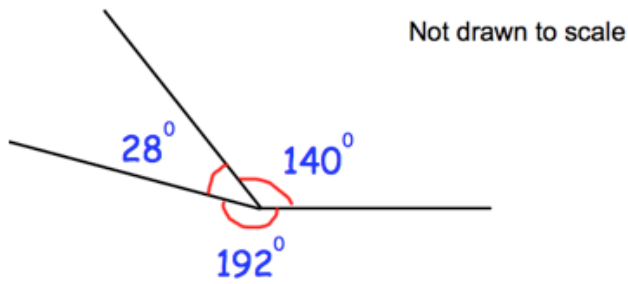


Answer **obtuse** angle



Answer **reflex** angle

6. Three angles meet at a point.



- (a) Write down the size of the acute angle.

.....**28**.....degrees
(1)

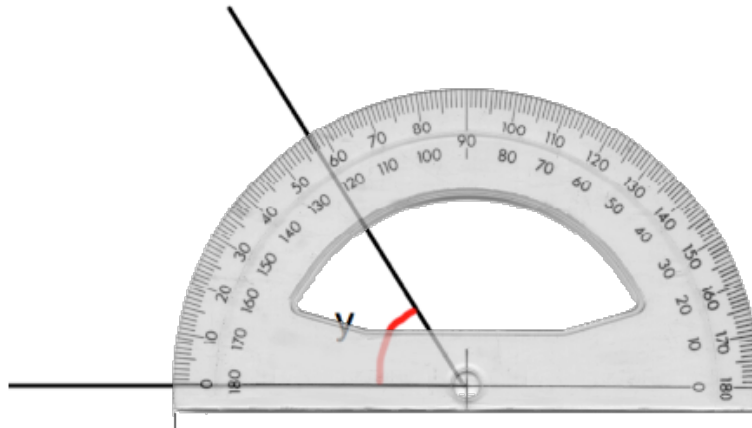
- (b) Write down the size of the reflex angle.

.....**192**.....degrees
(1)

- (c) Find the sum of the three angles.

.....**360**.....degrees
(1)

7. (a) Measure the size of angle y .

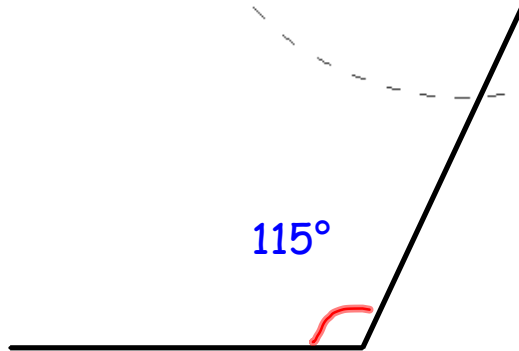


your answer may vary slightly depending on printing.

57°

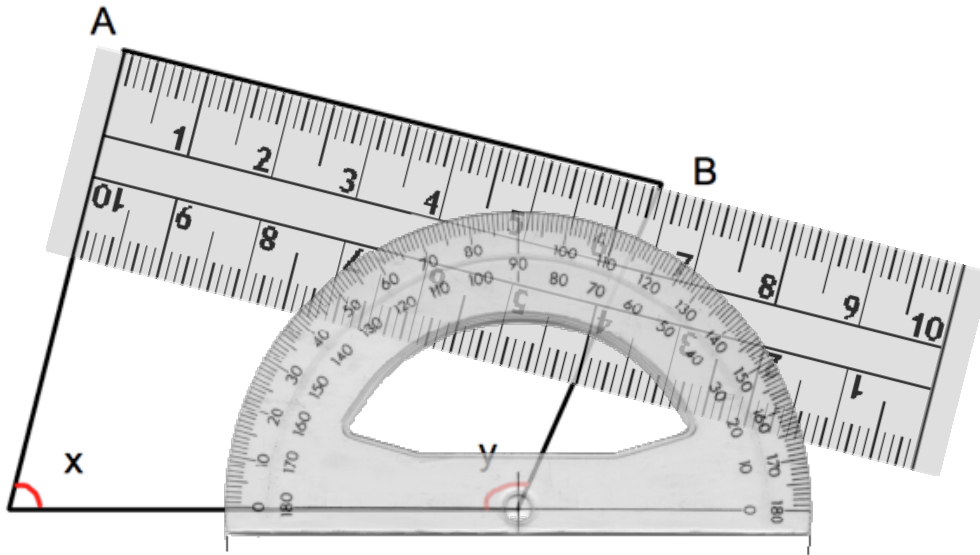
(1)

- (b) Draw and label an angle of 115°



(1)

8.



(a) Measure the length of the line AB.

your answer will differ depending on printing.

6.4

.....cm
(1)

(b) What type of angle is x?

acute

.....
(1)

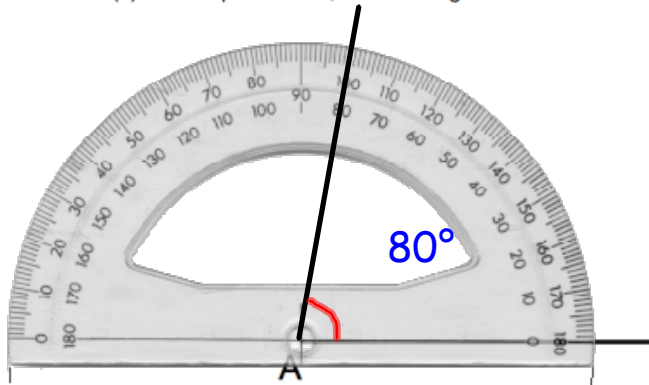
(c) Measure the size of angle y.

your answer may vary slightly depending on printing.

114°

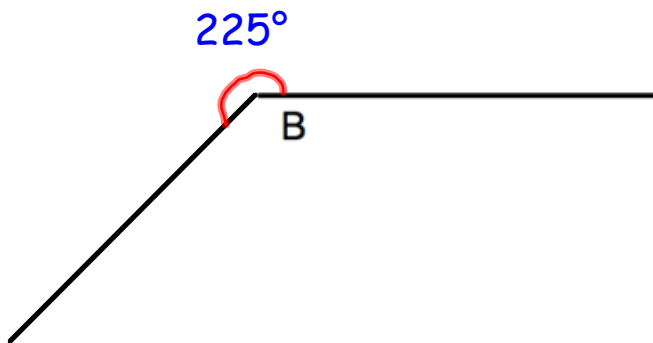
.....°
(1)

9. (a) In the space below, draw an angle of 80° at A.



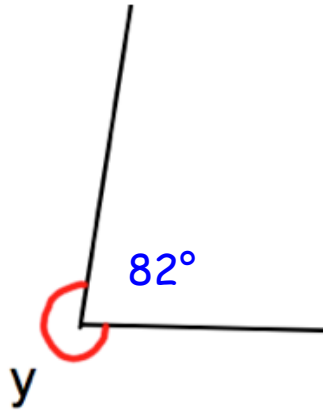
(1)

(b) In the space below, draw an angle of 225° at B.



(1)

10. Measure the reflex angle, y , shown below.



your answer may vary slightly depending on printing.

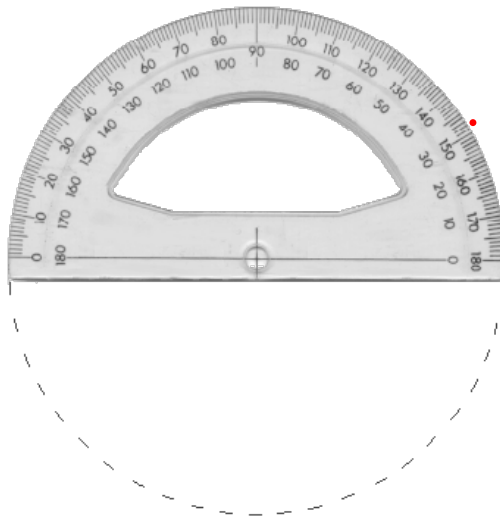
$$360 - 82 = 278$$

278^o
.....
(1)

11. Hannah is measuring an obtuse angle in her maths exam. She has written the answer 32°

Her teacher has said she has looked at the outside number instead of the inside number on the protractor.

What angle should Hannah have put on her exam?



148^o
.....
(1)