

Name: _____

Exam Style Questions

Bearings



Corbettmaths

Ensure you have: Pencil, pen, ruler, protractor, pair of compasses and eraser

You may use tracing paper if needed

Guidance

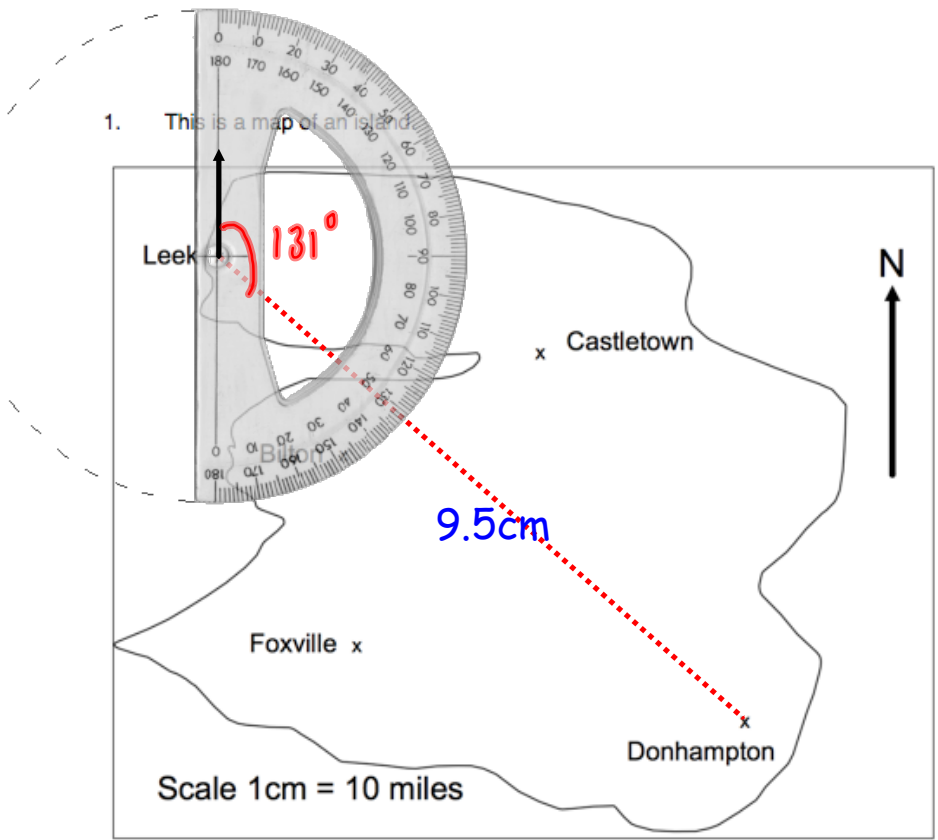
1. Read each question carefully before you begin answering it.
2. Don't spend too long on one question.
3. Attempt every question.
4. Check your answers seem right.
5. Always show your workings

Revision for this topic

www.corbettmaths.com/contents

Video 26





A helicopter flies in a straight line from Leek to Donhampton.

(a) How far does the helicopter fly?

This will depend on printing size

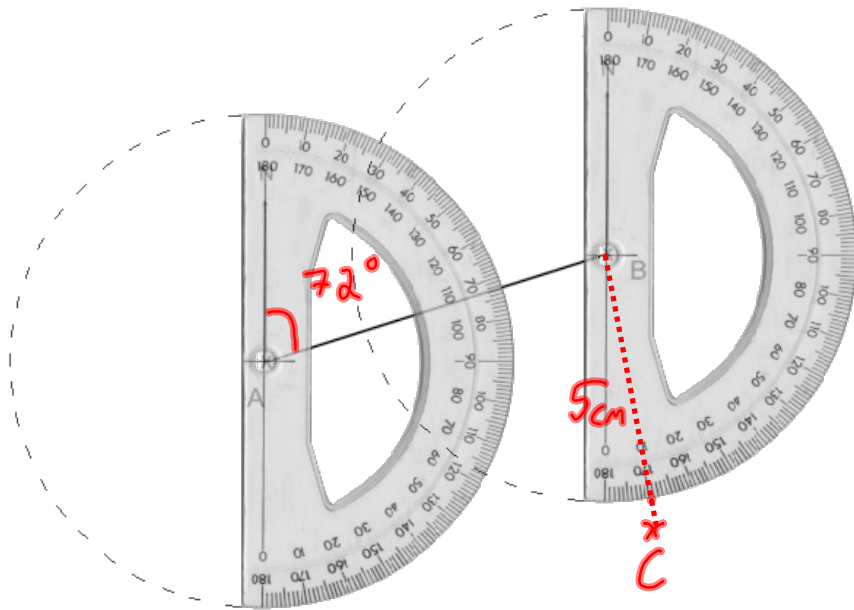
95
.....miles
(2)

(b) Write down the bearing of Donhampton from Leek.

This may vary due to printing

131
.....°
(1)

2. The diagram shows the position of two houses, A and B, on a map.



(a) Measure the bearing of B from A.

This may vary due to printing

072
.....^o
(1)

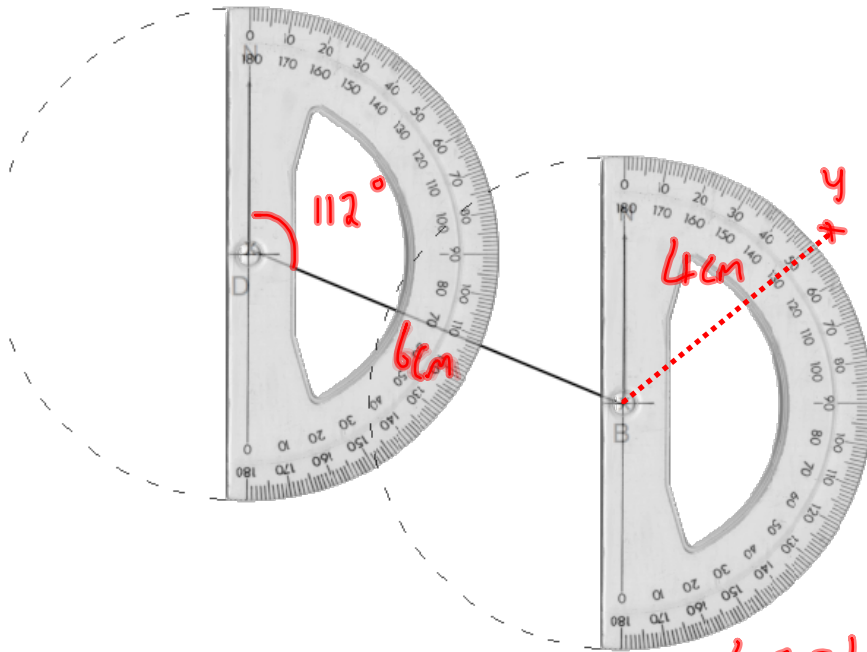
Another house C is on a bearing of 170° from B.
On the map, C is 5cm from B

(b) Mark the position of C with a cross (x) and label it C.

This will depend on printing size

(2)

3. The diagram shows the position of a boat B and a dock D.



The scale of the diagram is 1cm represents 2km.

$$6 \times 2 = 12$$

(a) Work out the actual distance between the dock and the boat.

This will depend on printing size

$$\dots\dots\dots 12 \dots\dots\dots \text{km}$$

(2)

(b) Measure the bearing of the boat B from the dock D.

This may vary due to printing

$$\dots\dots\dots 112 \dots\dots\dots ^\circ$$

(1)

A yacht Y is 8km from the boat B on a bearing of 050°

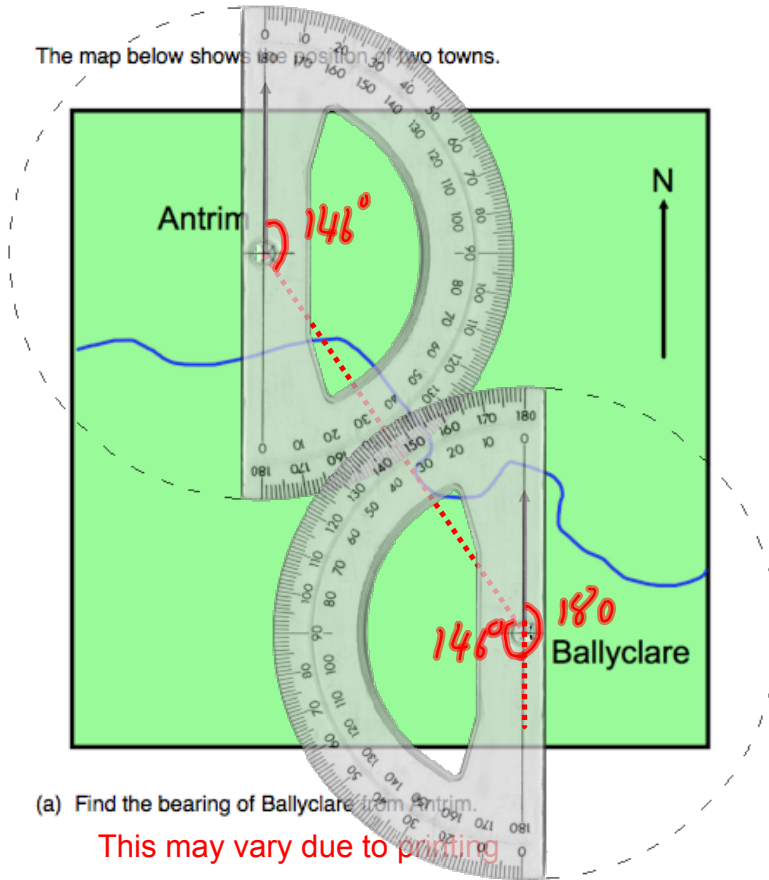
$$8 \div 2 = 4\text{cm}$$

(c) On the diagram, mark the position of yacht Y with a cross (x).
Label it Y.

This will depend on printing size

(2)

4. The map below shows the position of two towns.



(a) Find the bearing of Ballyclare from Antrim.

This may vary due to printing

146
.....°
(1)

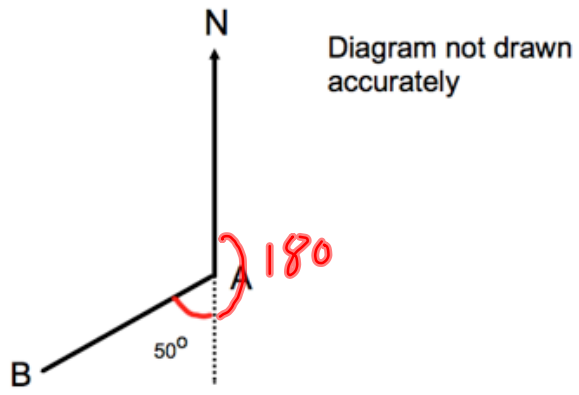
(b) Find the bearing of Antrim from Ballyclare.

This may vary due to printing

180
+ 146

326
.....°
(1)

5.



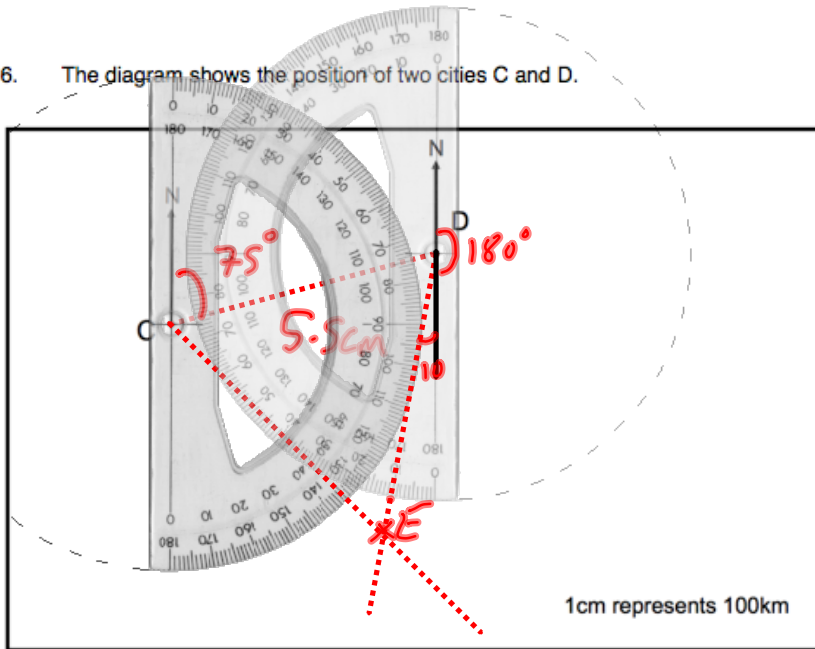
Work out the bearing of B from A.

$$\begin{array}{r} 180 \\ + 50 \\ \hline 230 \end{array}$$

$$\underline{\hspace{1.5cm}} 230^\circ$$

(2)

6. The diagram shows the position of two cities C and D.



(a) Work out the actual distance of D from C.

$$5.5 \times 100 = 550$$

This will depend on printing size

..... km
(2)

(b) Find the three figure bearing of D from C.

This may vary due to printing

.....°
(1)

E is South-East of C.

(c) Write down the bearing of E from C



.....°
(1)

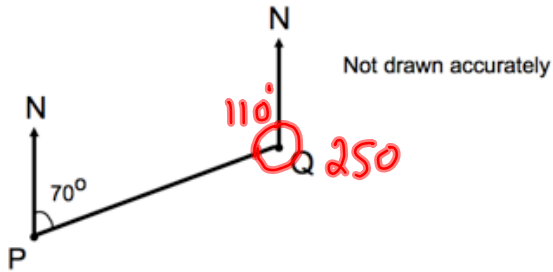
E is also on a bearing of 190° from D.

(d) Mark the position of E on the diagram.

This may vary due to printing

(2)

7. The diagram shows the position of two airplanes, P and Q.

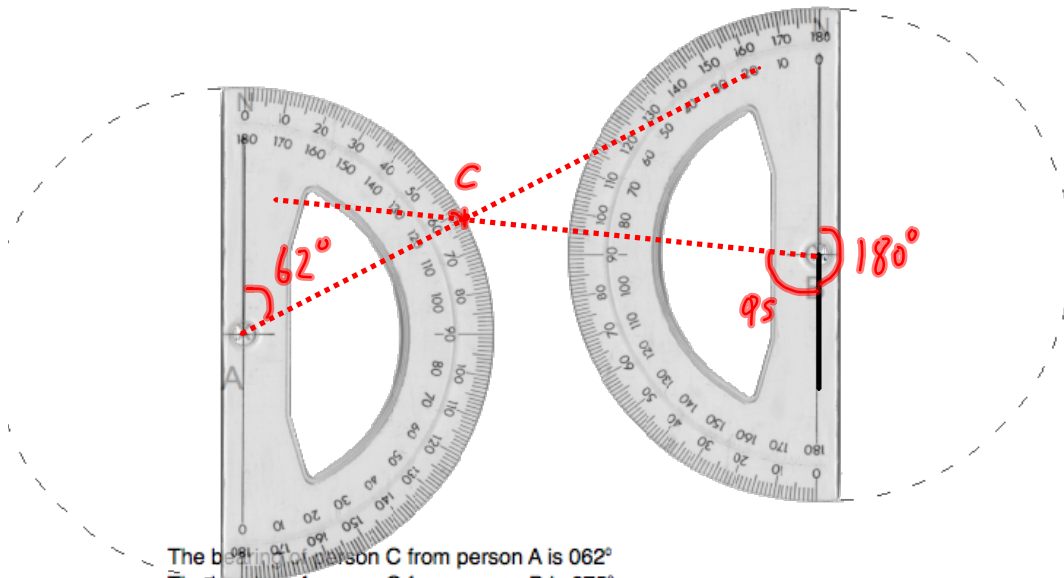


The bearing of Q from P is 070° .

Calculate the bearing of P from Q.

250°
.....
(2)

8. The diagram shows the position of two people, A and B, who are on their Duke of Edinburgh expedition.



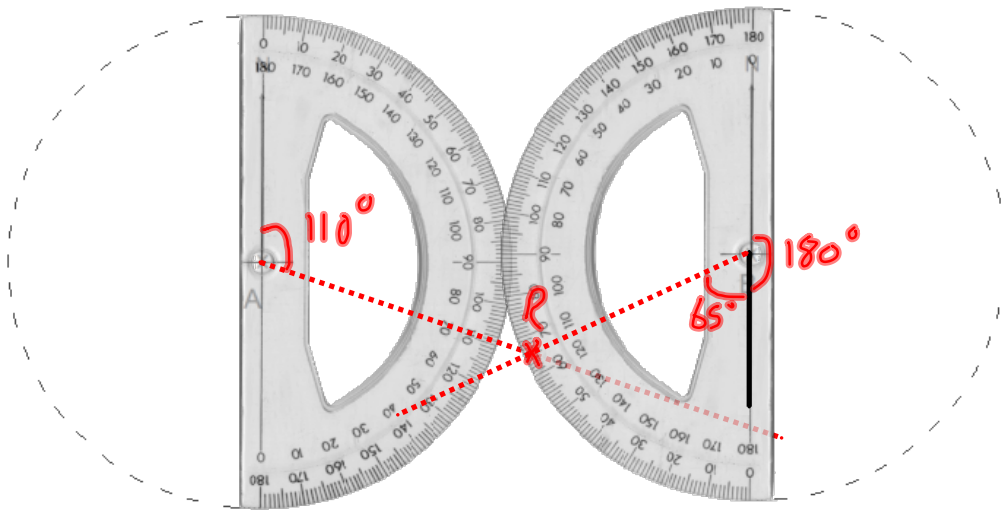
The bearing of person C from person A is 062°
The bearing of person C from person B is 275°

In the space above, mark the position of person C with a cross (x). Label it C.

This may vary due to printing

(3)

9. The diagram shows the position of two towns, A and B.



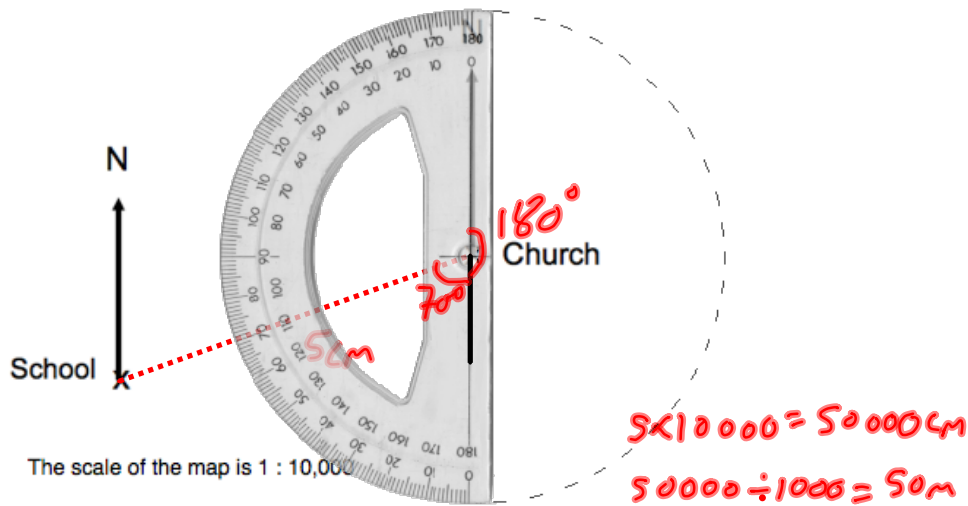
A rugby club, R, has bearing of 110° from town A.
The rugby club, R, has bearing 245° from town B.

In the space above, show the position of the rugby club R.
Mark the position with a cross (x) and label it R.

This may vary due to printing

(3)

10. The map below shows the position of a church and a school.



- (a) Find the actual distance between the church and school.
Give your answer in metres.

This will depend on printing size

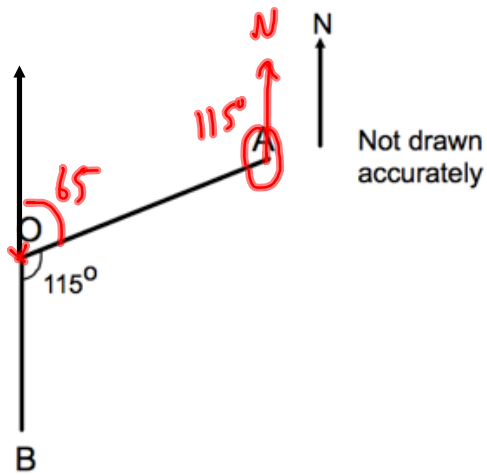
50
.....m
(2)

- (b) Find the bearing of the school from the church.

This may vary due to printing

250
.....°
(2)

11. Gregory is at O and there are two roads, one towards A and another towards B. B is due South of O.



Gregory walks towards A.

- (a) On what bearing does he walk?

$$\dots\dots\dots 065^\circ$$

(2)

Joshua is at A and walks towards Gregory.

- (b) On what bearing does he walk?

$$\begin{array}{r} 360 \\ - 115 \\ \hline 245 \end{array}$$

$$\dots\dots\dots 245^\circ$$

(2)