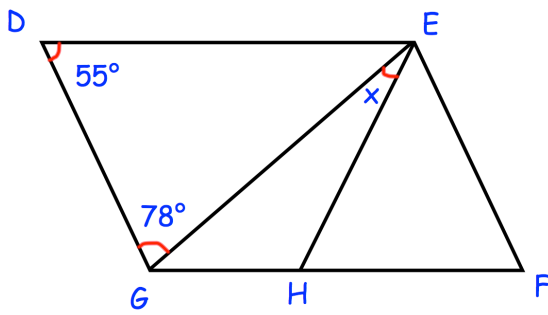


28th April



Corbettmaths



DEFG is a parallelogram
EH = EF

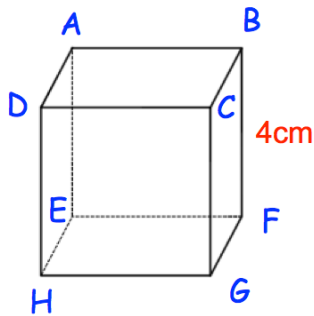
Find x

Route 1
52 miles at 60mph



Route 2
43 miles at 50mph

Which Route is faster and by how much?



Shown is a cube. Calculate length AG.

Factorise $8y^2 + 10y - 3$

Write the numbers 2, 3, 4 and 5 into the boxes to give smallest possible answer.

$$\boxed{} \frac{\boxed{}}{7} \times \boxed{} \frac{1}{\boxed{}}$$