

**1st August**

Corbettmaths

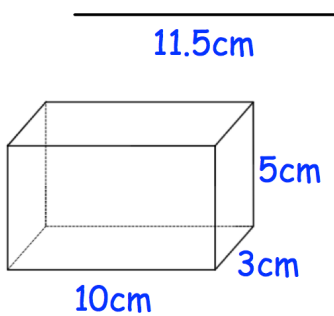
James is a student of a class of 29 students, 9 of which wear glasses.

1503 students attend the school.

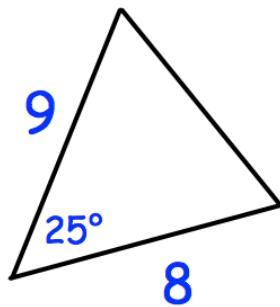
Use this information to estimate how many students in the school wear glasses.

Simplify fully

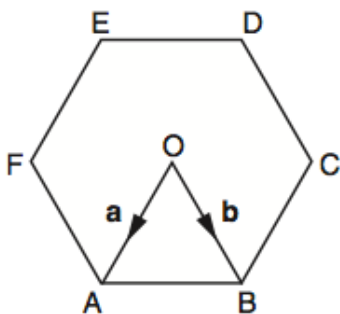
$$\frac{x^2 + 8x}{x^2 - 64}$$



Is it possible to fit a thin, straight rod that is 11.5cm entirely inside the box?



Find the area of the triangle.



Find in terms of **a** and **b**

**BA**

**AE**