

**17th August**

Corbettmaths

Write the next two terms

0.8 0.4 0.2 ....

Write the next two terms

1 5 25 ....

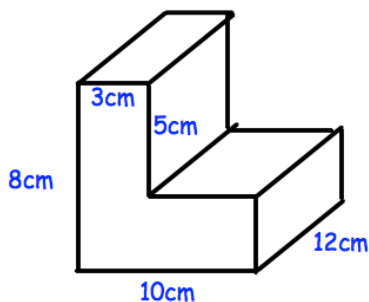
Expand  $6(x - 2)$ 

$$\frac{5}{6} - \frac{1}{2}$$

	French	Art
Female	8	3
Male	7	3

A student is chosen at random.

What is the probability they study French?



Calculate the volume of the prism.