

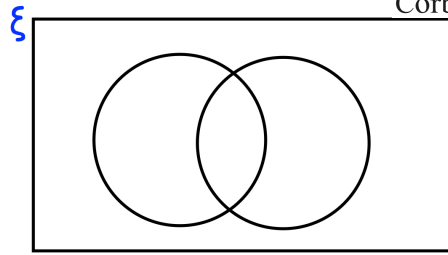
27th August



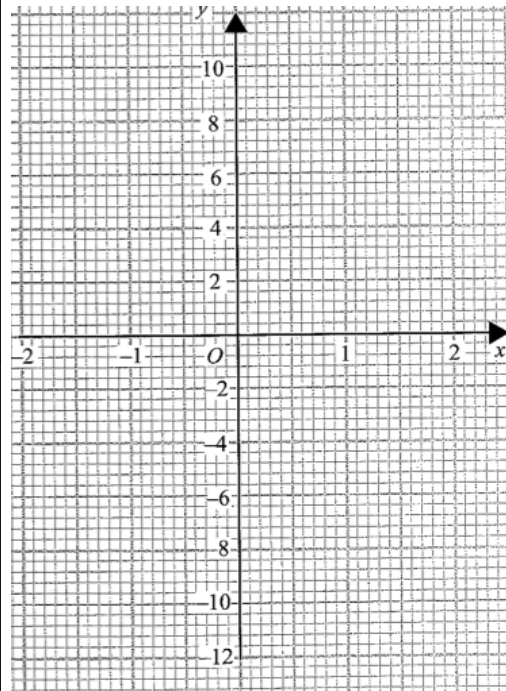
Corbettmaths

The students in a school sit two tests, a French test (F) and German test (G). Everyone passed at least one test. 68% passed the French test and 82% passed the German test.

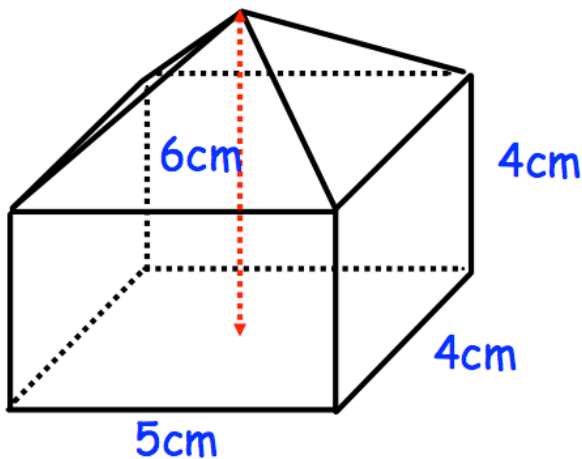
Show this information in the Venn diagram



On the grid, draw $y = 2x^2 + x - 8$



Using your graph, solve $2x^2 + x - 8 = -4$



Shown is a container made of a pyramid and a cuboid.

90cm³ of water is poured into the container.

How high above the base of the container will the water reach?