

12th December

Corbettmaths

Simplify

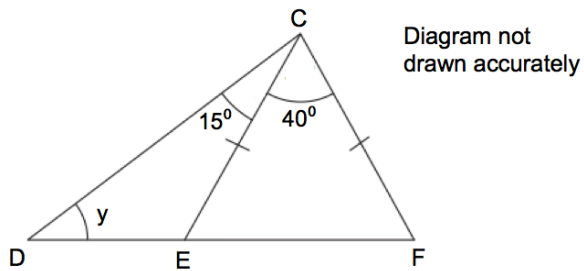
$$W \times W \times W$$

Simplify

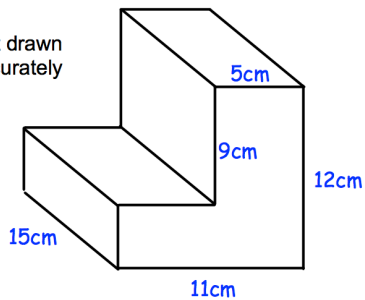
$$W + W + W$$

55 35 20 60 15

Work out the mean

Find the size of angle y

Not drawn accurately



Calculate the volume

Victoria walks 11 kilometres at a speed of 4 km/h

Calculate how long it takes Victoria.
Give your answer in hours and minutes.