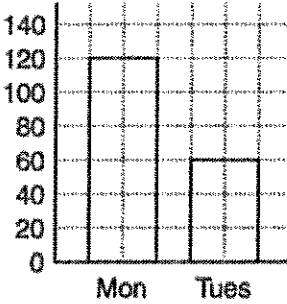


Name: _____

December 16th	5-a-day	Numeracy						
<p>Write down the next term in this sequence</p> <p>9 13 17 21 25</p>	<p>Explain in words how you worked out your answer.</p> <p>I added four.</p>							
<p>Credits</p>  <table border="1"><caption>Credits for Year 8</caption><thead><tr><th>Day</th><th>Credits</th></tr></thead><tbody><tr><td>Mon</td><td>120</td></tr><tr><td>Tues</td><td>60</td></tr></tbody></table>	Day	Credits	Mon	120	Tues	60	<p>How many credits did Year 8 receive on Monday?</p> <p>120</p>	
Day	Credits							
Mon	120							
Tues	60							
<p>How many more credits were given to Year 8 on Monday than Tuesday?</p> <p>$120 - 60 = 60$</p>	<p>60</p>							
<p>Write 8.7 to the nearest whole number.</p> <p>9</p>	<p>Write 3.483 correct to 1 decimal place.</p> <p>3.5</p>							
<p>Work out $795 \div 3$</p> <p>265</p>	<p>$1.825 \div 5$</p> <p>0.365</p>							

Name: _____

December 16

5-a-day

Foundation

List the first 5 cube numbers.

1, 8, 27, 64, 125

List the first 5 prime numbers.

2, 3, 5, 7, 11

Using your calculator, work out:

$$\underline{2.12 \times 5.2}$$

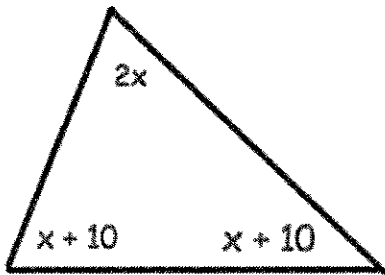
$$9.21 - 2.8$$

Write out your entire calculator display.

1.719812793

Round your answer to 2 significant figures.

1.7

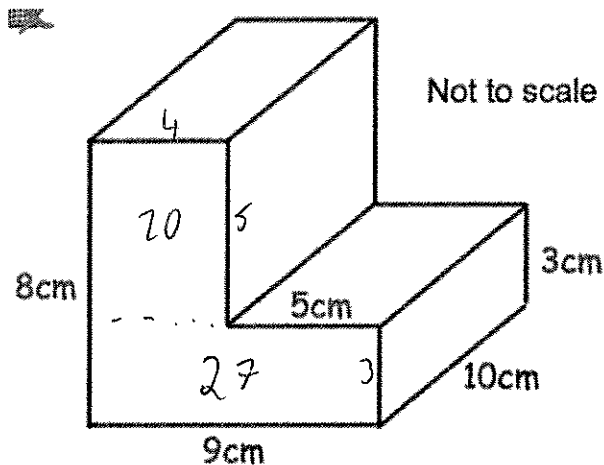


Write down the size of each angle

$$4x + 20 = 180$$

$$4x = 160$$

$$x = 40^\circ$$

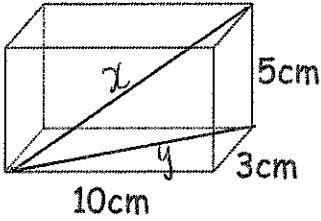
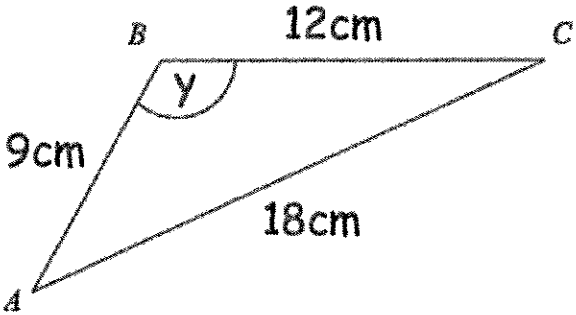
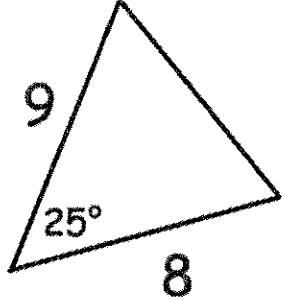


Find the volume of the prism.

$$20 + 27 = 47$$

$$47 \times 10 = 470 \text{ cm}^3$$

Name: _____

December 16	5-a-day	Higher
<p>Make w the subject of the formula</p> $a = 3w + 7$ $a - 7 = 3w$ $w = \frac{a - 7}{3}$		
<p>Express $\sqrt{32}$ in its simplest form.</p> $\sqrt{16} \times \sqrt{2}$ $4\sqrt{2}$		
 <p>11.5cm</p> <p>Using Pythagoras</p> $y = 10.44\text{cm}$ $x = 11.576\text{cm}$	<p>Is it possible to fit a thin, straight rod that is 11.5cm entirely inside the box?</p> <p>yes</p>	
	<p>Find y.</p> $\cos y = \frac{12^2 + 9^2 - 18^2}{2 \times 9 \times 12}$ 117.3°	
	<p>Find the area of the triangle.</p> $\frac{1}{2} \times 9 \times 8 \times \sin 25$ 15.214cm^2	