

8th December



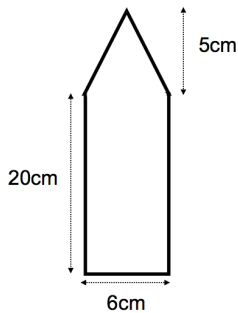
Corbettmaths

Work out

 12^4

0.13 $\frac{3}{20}$ 12% $\frac{1}{10}$ 0.09

Write these numbers in order of size.
Start with the smallest number.

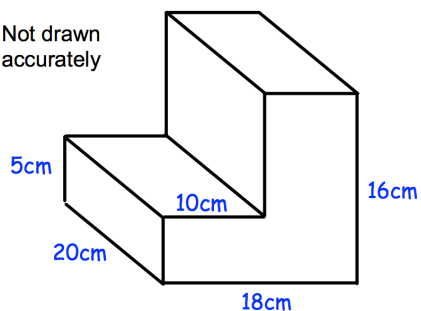


Calculate the area of the logo.

$\frac{4}{5}$ of y is 20.

Find the size of y .

Not drawn
accurately



Calculate the volume