

**1st December**

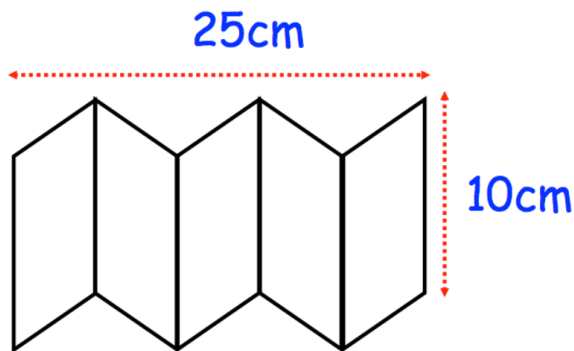


Corbettmaths

Height ( $h$ metres)	Frequency
$1.50 \leq h < 1.55$	8
$1.55 \leq h < 1.60$	33
$1.60 \leq h < 1.65$	29
$1.65 \leq h < 1.75$	17
$1.75 \leq h < 1.85$	1

Calculate an estimate of the mean.

What is the lowest common multiple (LCM) of 36 and 45.



The diagram shows a logo that is made up of 5 identical parallelograms. Find the area of the logo.

Which statements below are true?

- A** Pattern 10 has 11 yellow squares
- B** The number of red squares is always odd
- C** Every pattern has more red squares than yellow squares
- D** Pattern 5 has 11 red squares

