

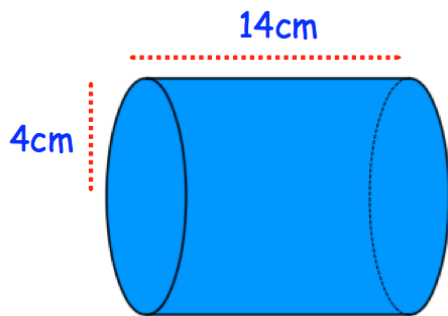
12th December



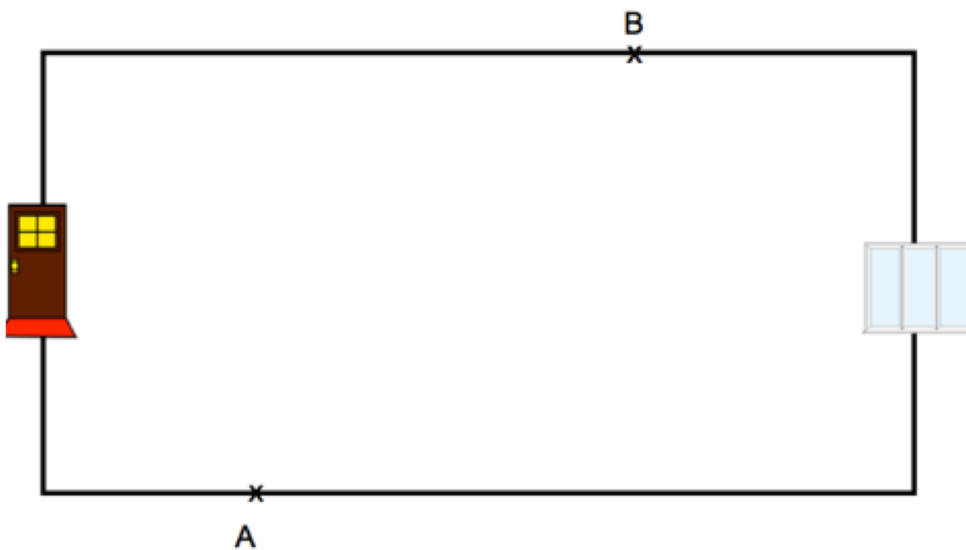
Corbettmaths

Make m the subject

$$w = \frac{m}{2} + 3c$$



Calculate the volume



1cm = 1 metre

There is a front door at one end of the hall and a patio door at the other. There are two burglar alarm sensors, one at A and one at B. The range of each sensor is 4m.

Is it possible to walk from the front door to the patio door without setting off the alarm?