

6th December

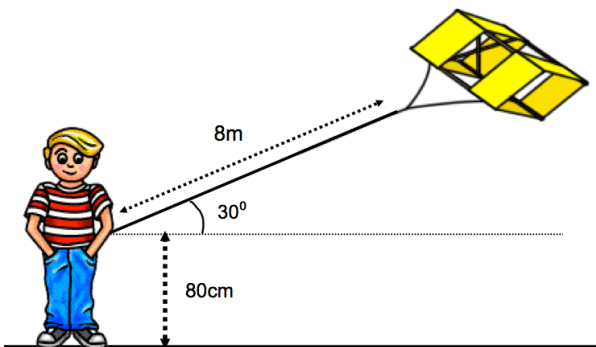
Corbettmaths

Give an example of a “discrete variable”

$$5^{-2} \div \sqrt[4]{81}$$

There are approximately 5×10^4 grains of rice in a one kilogram bag of rice.

Approximately how many grains of rice will be in 20 one kilogram bags of rice?



The string is held 80cm above the ground.
The kite is on a string which is 8m long.
The string makes an angle of 30° with the horizontal.

Calculate the height of the kite above the ground.