

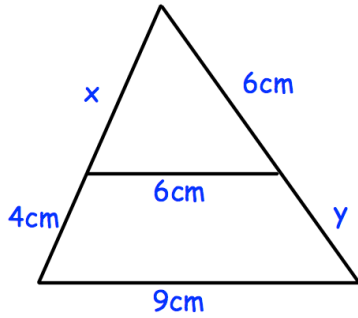
14th February



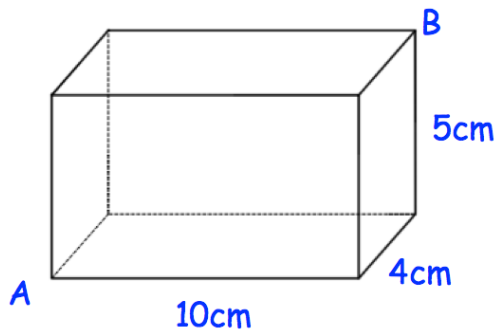
Corbettmaths

$$1 < \frac{6x - 3}{5} < 9$$

x is an integer.
Find the possible solutions.



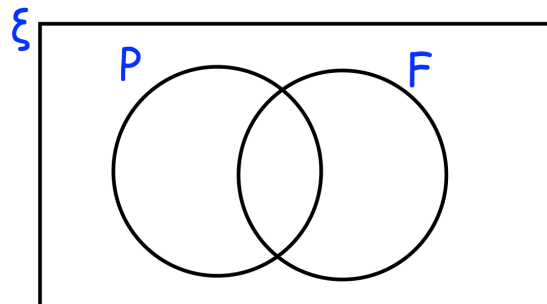
Find x and y.



Find the distance AB.

$\xi = \{1, 2, 3, 4, 5, 6, 7, 8, 9, 10, 11, 12, 13\}$
 P = prime numbers
 F = factors of 30

Complete the Venn diagram



Write down $P \cup F$

Write down $P \cap F$