

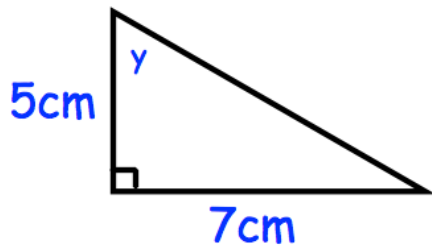
**21st July**

Corbettmaths

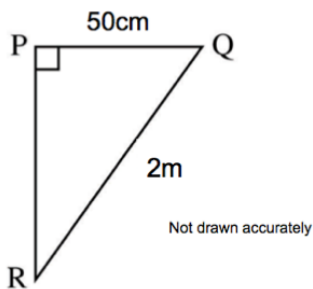
The probability of someone having brown eyes is 0.5 and the probability of someone having green eyes is 0.14.

What is the probability that someone at random has either brown or green eyes?

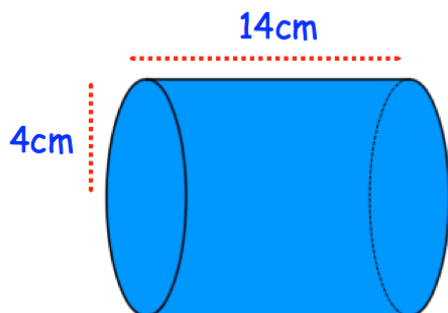
150 people are chosen at random.  
Work out an estimate for the number of people who will have green eyes.

Find  $y$ 

Explain why regular octagons will **not** tessellate.



Calculate the length of PR.



Calculate the surface area