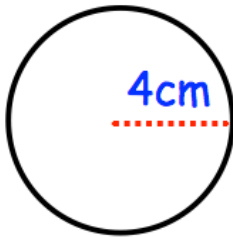


24th July



Corbettmaths

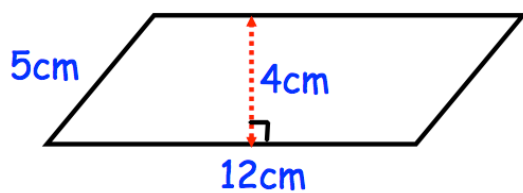
Find the circumference



Shown below is a rectangle.



Find the perimeter of the rectangle.



Find the area of the parallelogram

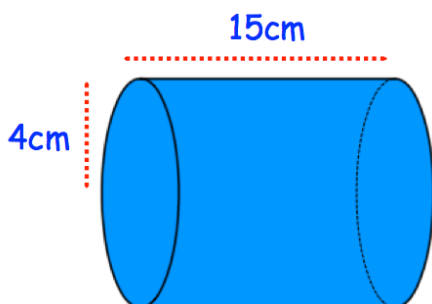
James has 5 cards, each with a number written on it.

The median is 9

The mode is 12

The range is 7

Write down a possible set of numbers James could have.



Calculate the volume