

27th July



Corbettmaths

Find the perimeter of the rectangle.

$$\frac{7}{9} \text{ m}$$

$$\frac{1}{5} \text{ m}$$



James bought a house.
In the first year the value of the house decreased by 5%.
In the second year the value of the house increased by 5%.

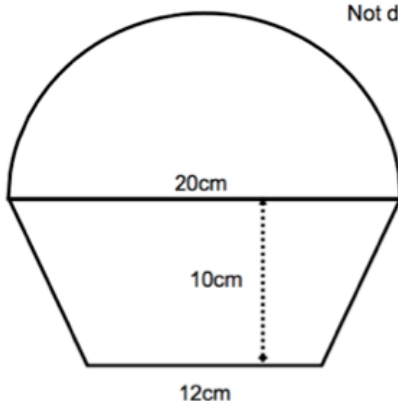
Is the house worth more, less, or the same as what James paid for it?

Age	Frequency
$0 < A \leq 10$	5
$10 < A \leq 20$	9
$20 < A \leq 40$	6

Calculate an estimate of the mean.

Shown is a logo.

Not drawn accurately



Calculate the area of the logo.