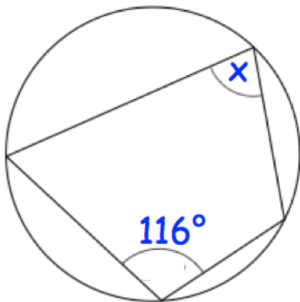


18th March

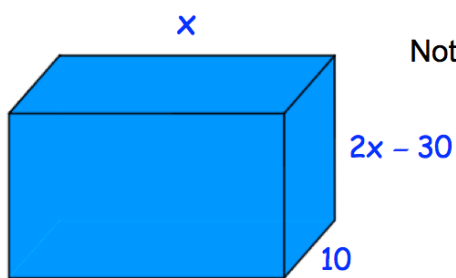
Corbettmaths

Write down a fraction which is a recurring decimal

Write down a fraction which is a terminating decimal



Find x



Not to scale

The diagram shows a cuboid.
The volume of the cuboid is 5000cm^3 .

Show $2x^2 - 30x - 500 = 0$

Solve $2x^2 - 30x - 500 = 0$ to find x, the length of the cuboid.

James, Fred and Kevin each take a penalty
The probability James scores is $\frac{4}{5}$
The probability Fred scores is $\frac{2}{3}$
The probability Kevin scores is $\frac{3}{4}$

What is the probability that all three miss?