

10th May

Corbettmaths

Work out the value of 150^3

Give your answer in standard form.

Solve the simultaneous equations

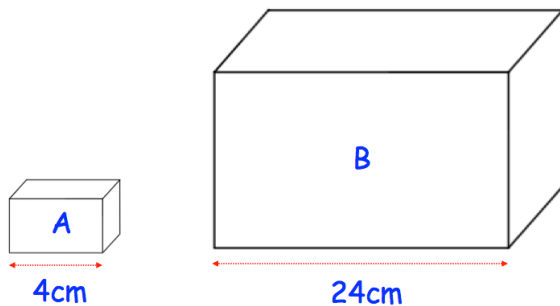
$$x - y = 13$$

$$\frac{2}{3}x + \frac{1}{2}y = -3$$

Liquid A has a density of 0.65g/cm^3 Liquid B has a density of 1.4g/cm^3

200g of liquid A and 60g of liquid B are mixed for make liquid C.

Work out the density of liquid C.



Shown are two mathematically similar cuboids.

The volume of cuboid B is 1728cm^3

Find the volume of cuboid A.

The probability of winning a game is 0.7.

The game is played 3 times.

What is the probability of exactly 2 wins.