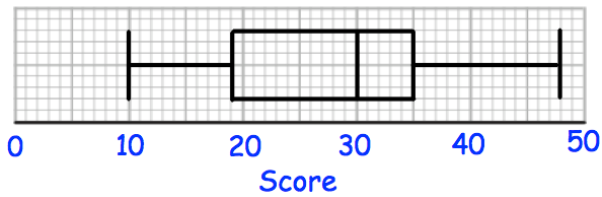


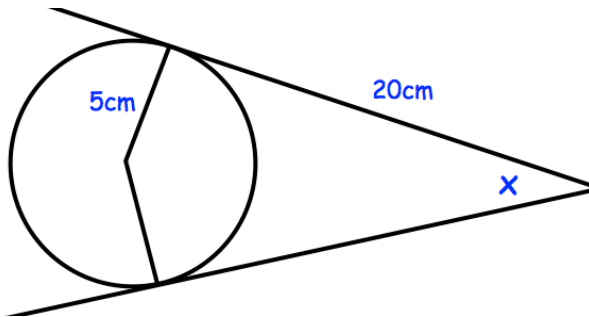
14th May



Corbettmaths

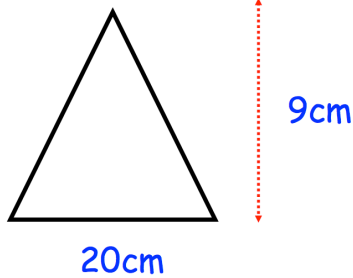


Write down the upper quartile

Calculate angle x

Expand and simplify

$$(2x - 1)^3$$



Shown is a triangle with measurements given to 1 significant figure.

Calculate the lower bound for the area

Work out

$$\frac{2\pi^3}{5} \div \frac{\pi}{3}$$

simplify your answer