

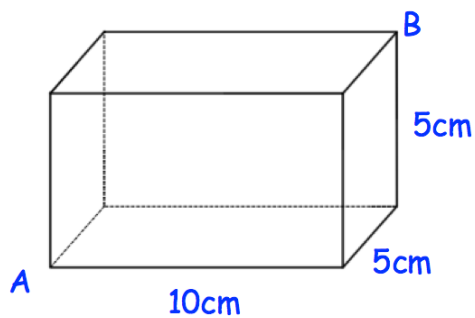
21st May



Corbettmaths

Expand

$$(x + 2)(x + 3)(x + 6)$$

Simplify $(\sqrt{10})^4$ Simplify $2\sqrt{3} \times 3\sqrt{5}$ Estimate $50^{\frac{3}{2}}$ 

Work out the distance AB.

Factorise $6w^2 - 7w - 10$