

**6th May**

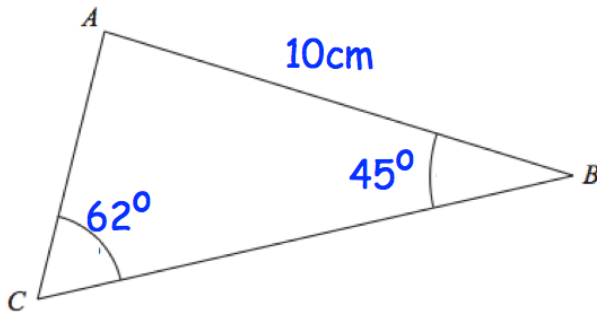
Corbettmaths

A spinner is spun 600 times.  
The relative frequencies of each colour are:

White 0.45  
Red 0.35  
Green x

How many more times did the spinner land on white than green?

The first flight between Belfast and New York is 40% full.  
Each month the number of passengers increases by 3%.  
How many months will it be before the flight is full?



Find the length of AC.

Find angle BAC

Find the area of the triangle

Simplify

$$\frac{3x^2 + 7x + 4}{x^2 + 3x + 2}$$