

24th November

Corbettmaths

Expand and simplify

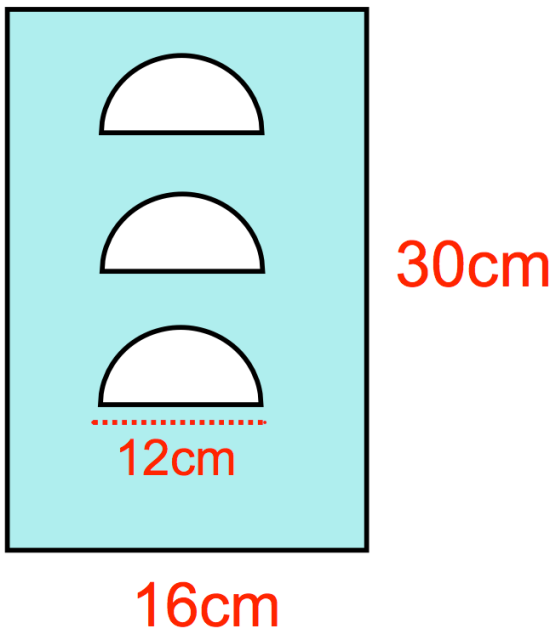
$$3(2x - 5) - 2(7 - 9x)$$

Every year the average wait time to be treated at Frome Accident and Emergency is recorded.

In 2017 patients waited 20% less time than in 2016.

In 2017, patients waited 52 minutes on average.

Work out the average wait time in 2016.



Three semicircles have been cut out of a piece of metal.

Find the shaded area

A fair coin is flipped twice.
The probability of a tail is 0.5.

- (a) Show this information on a tree diagram.
- (b) Find the probability of at least one tail.