

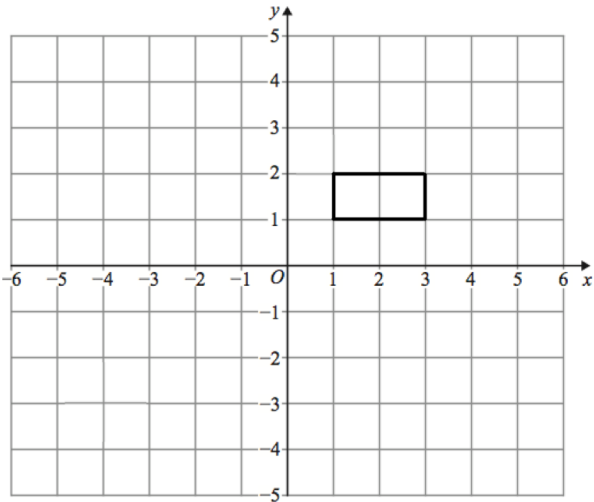
24th October



Corbettmaths

Lowest Value	6
Median	14
Upper Quartile	16
Range	20
Interquartile Range	5

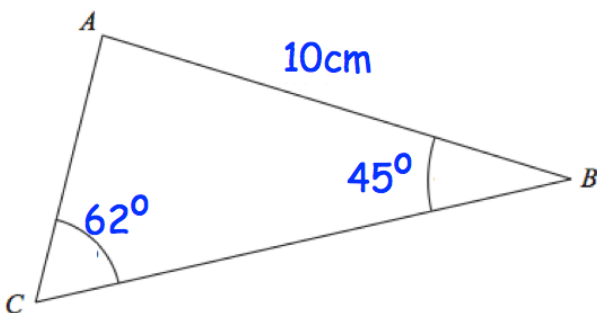
Draw a box plot for the information given



Enlarge the rectangle by scale factor  $-2$ , using  $(0, 1)$  as centre of enlargement.

Solve

$$2x^2 + 11x + 5 = 0$$



Find the length of AC.