

8th October

Corbettmaths

Find the range of values of x that satisfies **both**

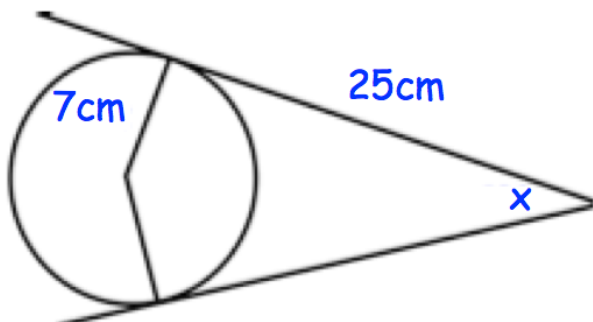
$$3(x + 2) \leq 30 \quad \text{and} \quad 4x + 3 > 21$$

A dice is rolled.
A coin is flipped.

What is the probability of getting a tail and a prime number?

Simplify

$$9\sqrt{35} \div 3\sqrt{5}$$



Shown is a circle, two tangents and two radii.
Find the size of the angle marked x .

Evaluate

$$125^{\frac{2}{3}}$$