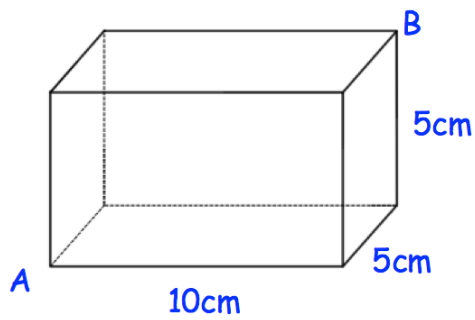


17th September



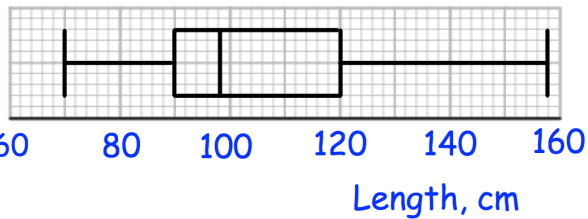
Corbettmaths



Work out the distance AB.

Expand and simplify

$$(x - 2)(x - 3)(x - 4)$$



Work out the range

Work out the interquartile range

What percentage of trees are taller than 120cm?

Victor is  $y$  years old.  
 His brother Fred is four years old than Victor.  
 The product of their ages is 780.

Set up an equation to represent this information and solve to find Fred's age.