

2nd September



Corbettmaths

$$a^b = 1$$

Write down three possible pairs of values for a and b.

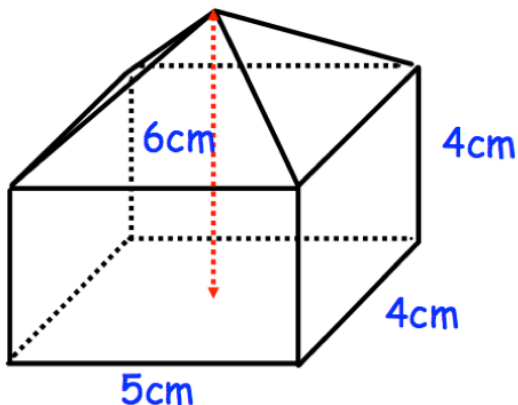
The values of a must be different in each answer.  
The values of b must be different in each answer.

Factorise  $2w^2 - 9w + 4$

Declan ran a distance of 200m in a time of 26.2 seconds.

The distance of 200m was measured to the nearest 10 metres.  
The time of 26.2 was measured to the nearest tenth of a second.

Work out the upper bound for Declan's average speed.



Shown is a solid made from a pyramid and a cuboid.

Find the volume of the solid.