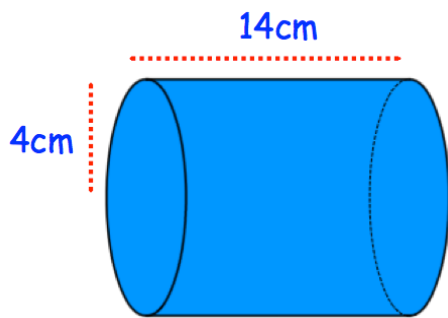


3rd September



Corbettmaths



Calculate the surface area

Line 1: $y = 3x + 1$

Line 2: $y = 2x - 3$

Line 3: $3y + x = 6$

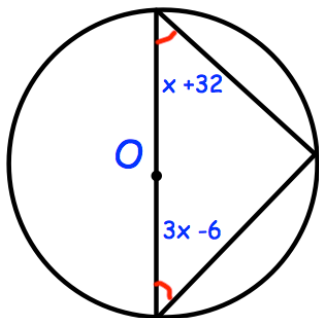
Line 4: $y = \frac{1}{3}x - 1$

Which lines are perpendicular?

$$W^0 \quad W^3 \quad \frac{W^3}{W^4} \quad W^{-2}$$

W is greater than 1.

Write in ascending order.



Find x

The volumes of two mathematically similar solids are in the ratio 8 : 125
The surface area of the smaller solid is 24 cm^2

Work out the surface area of the larger solid.