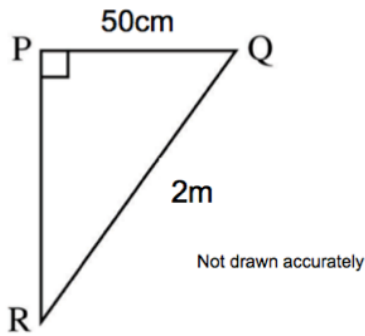


4th September



Corbettmaths



Calculate the length of PR.

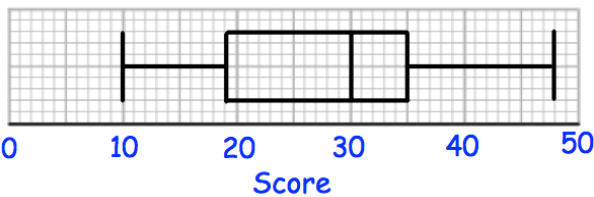
W is inversely proportional to A squared.

When $W = 10$, $A = 2$.

Find W when $A = 4$.

Work out

$$25^{1/2} \div 2^{-2}$$



Write down the interquartile range

Expand $\sqrt{10} (5 + \sqrt{10})$