

1st August



James is a student of a class of 29 students, 9 of which wear glasses.

1503 students attend the school.

Use this information to estimate how many students in the school wear glasses.

or  $\frac{9}{29} \approx \frac{3}{10}$   $\frac{3}{10}$  of 1500 = 450

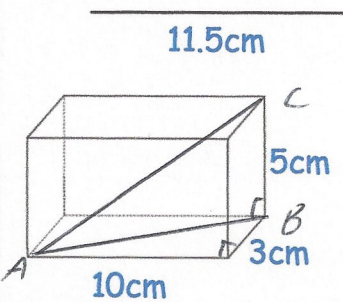
$$\frac{9}{29} \approx \frac{10}{30} = \frac{1}{3}$$

$$\frac{1}{3} \text{ of } 1500 = 500$$

Simplify fully

$$\frac{x^2 + 8x}{x^2 - 64} \quad \frac{x(\cancel{x+8})}{(x-8)(\cancel{x+8})}$$

$$\frac{x}{x-8}$$

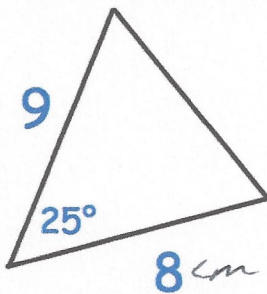


Is it possible to fit a thin, straight rod that is 11.5cm entirely inside the box?

$$AB^2 = 3^2 + 10^2 = 109 \quad AB = \sqrt{109}$$

$$AC^2 = 5^2 + (\sqrt{109})^2 = 134 \quad AC = 11.576$$

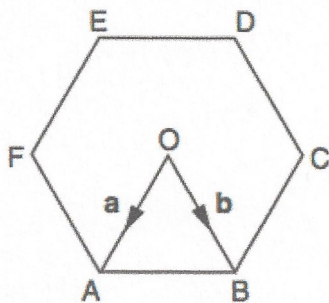
yes it can fit



Find the area of the triangle.

$$\frac{1}{2} \times 9 \times 8 \times \sin 25$$

$$15.21 \text{ cm}^2$$



Find in terms of a and b

BA  $\underline{-b} + \underline{a}$

AE  $\underline{-a} - \underline{b}$