

1st December



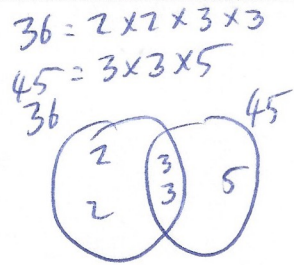
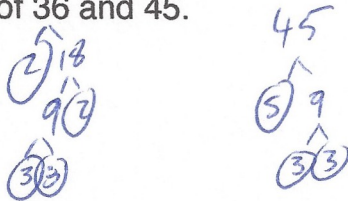
Corbettmaths

Height (h metres)	mp	Frequency	fx
$1.50 \leq h < 1.55$	1.525	8	12.2
$1.55 \leq h < 1.60$	1.575	33	51.975
$1.60 \leq h < 1.65$	1.625	29	47.125
$1.65 \leq h < 1.75$	1.7	17	28.9
$1.75 \leq h < 1.85$	1.8	1	1.8

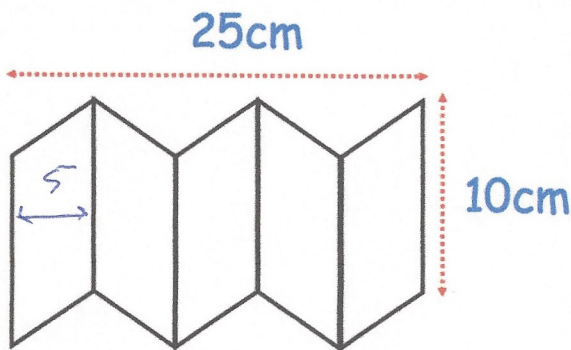
Calculate an estimate of the mean.

$$142 \div 88 = 1.613636...$$

What is the lowest common multiple (LCM) of 36 and 45.



LCM = $2 \times 2 \times 3 \times 3 \times 5$
180



The diagram shows a logo that is made up of 5 identical parallelograms. Find the area of the logo.

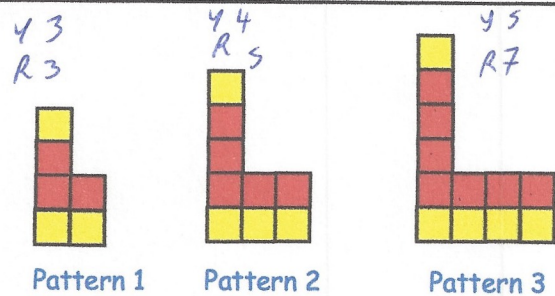
$$5 \times 10 = 50 \text{ cm}^2$$

$$50 \times 5 = 250 \text{ cm}^2$$

Which statements below are true?

- A Pattern 10 has 11 yellow squares
- B The number of red squares is always odd
- C Every pattern has more red squares than yellow squares
- D Pattern 5 has 11 red squares

B & D



y6
R9
P4