

12th December



Corbettmaths

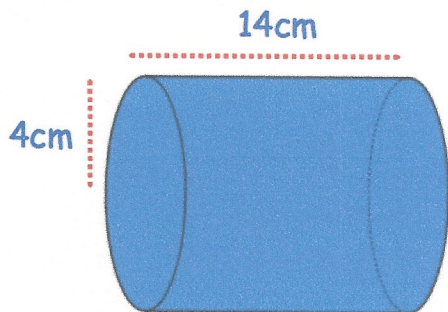
Make  $m$  the subject

$$w = \frac{m}{2} + 3c$$

$$w - 3c = \frac{m}{2}$$

$$2w - 6c = m$$

$$m = 2w - 6c$$

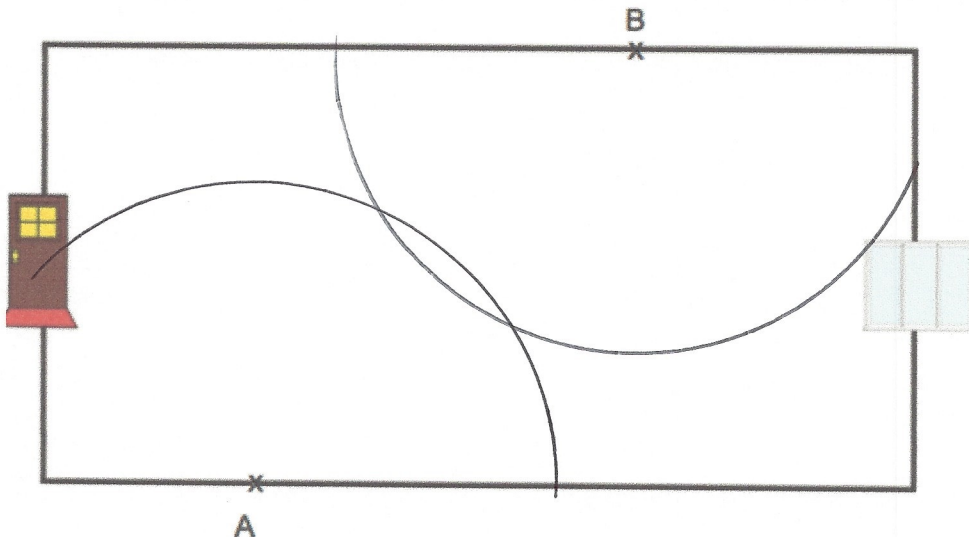


Calculate the volume

$$V = \pi r^2 l$$

$$V = \pi \times 4^2 \times 14$$

$$= 703.71675 \text{ cm}^3$$



1cm = 1 metre

There is a front door at one end of the hall and a patio door at the other. There are two burglar alarm sensors, one at A and one at B. The range of each sensor is 4m.

Is it possible to walk from the front door to the patio door without setting off the alarm?

No