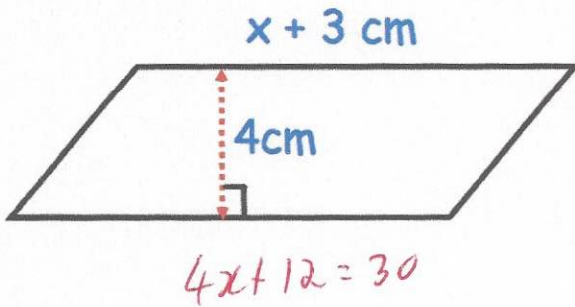


20th December



Corbettmaths



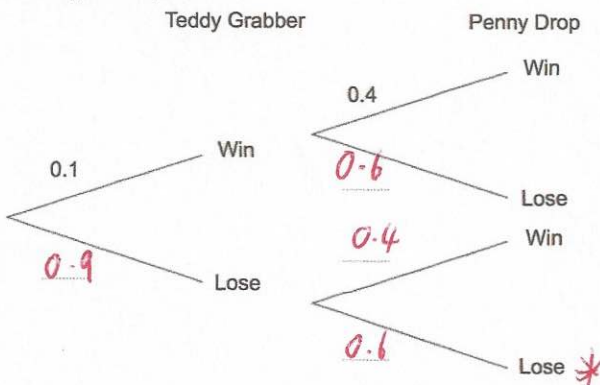
The area of the parallelogram is 30cm^2
Find the size of x .

$$4x = 18$$

$$x = 4.5 \text{ cm}$$

James goes to an arcade.
He has one go on the Teddy Grabber.
He has one go on the Penny Drop.
The probability that he wins on the Teddy Grabber is 0.1.
The probability that he wins on the Penny Drop is 0.4.

Complete the tree diagram.



Work out the probability that James loses on the Teddy Grabber and he also loses on the Penny Drop.

$$0.9 \times 0.6 = 0.54$$

Factorise $y^2 - 13y + 36$

$$(y - 9)(y - 4)$$

The population of a country is 2.85×10^6
The number of people that own a rabbit is 1.24×10^5

Calculate the percentage of the population that own a rabbit.

$$\frac{1.24 \times 10^5}{2.85 \times 10^6} \times 100$$

$$= 4.35\%$$