

8th December



Corbettmaths

Work out

12<sup>4</sup>

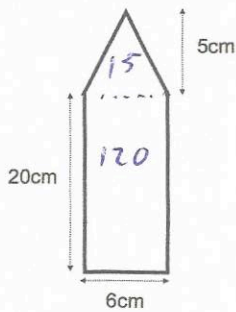
$$12 \times 12 \times 12 \times 12$$

$$20736$$

0.13       $\frac{3}{20}$       12%       $\frac{1}{10}$       0.09  
 13%      15%      10%      9%

$$0.09, \frac{1}{10}, 12\%, 0.13, \frac{3}{20}$$

Write these numbers in order of size.  
 Start with the smallest number.



Calculate the area of the logo.

$$135 \text{ cm}^2$$

$\frac{4}{5}$  of  $y$  is 20.

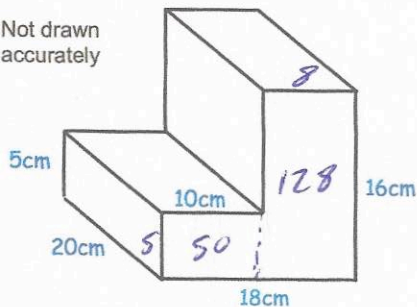
Find the size of  $y$ .

$$20 \div 4 = 5$$

$$5 \times 5 = 25$$

$$y = 25$$

Not drawn  
 accurately



Calculate the volume

$$178 \times 20 = 3560 \text{ cm}^3$$