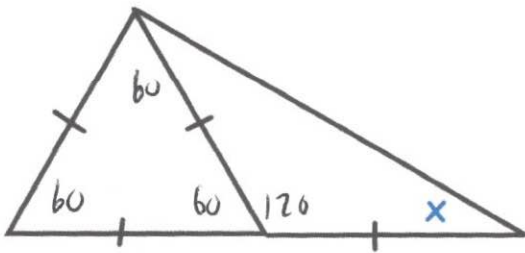


24th January



Corbettmaths



Find x

$$x = 30^\circ$$

Shown are four terms in a Fibonacci sequence

1 1 2 3 5 8 13 21

Write down the next four terms

Write 2500 kg in grams.

Give your answer in standard form.

2500000

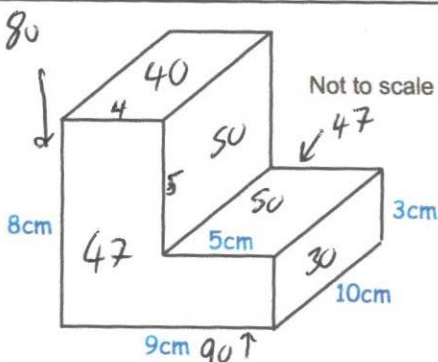
$$2.5 \times 10^6$$

Charlene and Danielle share some money in ratio 2 : 3

Danielle gets £25 more than Charlie.

How much does each girl receive?

Charlene £50 and Danielle £75



Calculate the surface area

$$434\text{cm}^2$$