

2nd May



Corbettmaths

Work out the median

3 8 4 8 3 5 9

3 3 4 (5) 8 8 9
5

Work out the range

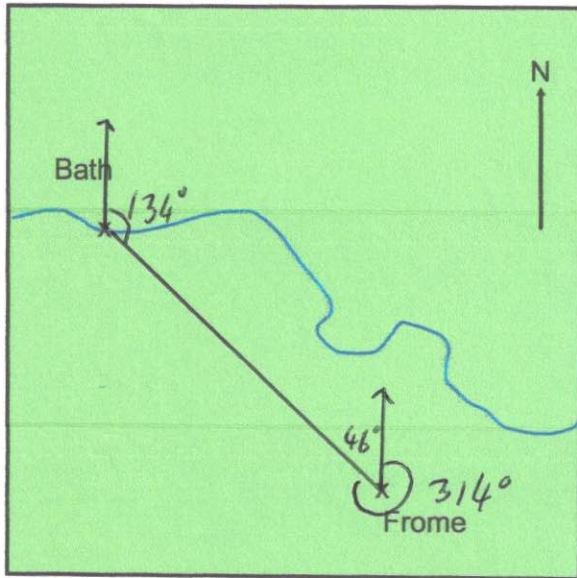
3 8 4 8 3 5 9

$9 - 3 = 6$

Ian is 1.83m tall
Donna is 6cm shorter

What is Donna's height in metres?

1.77m

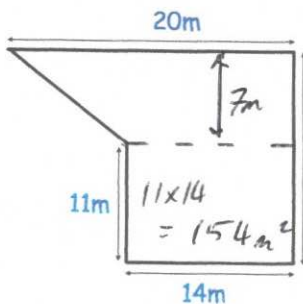


Find the bearing of Frome from Bath.

134°

Find the bearing of Bath from Frome.

314°



$$\frac{1}{2}(a+b)h$$

$$\frac{1}{2}(14+20) \times 7$$

$$18m = 119m^2$$

$$11 \times 14 = 154m^2$$

Find the area of the shape.

$$154 + 119 = 273m^2$$