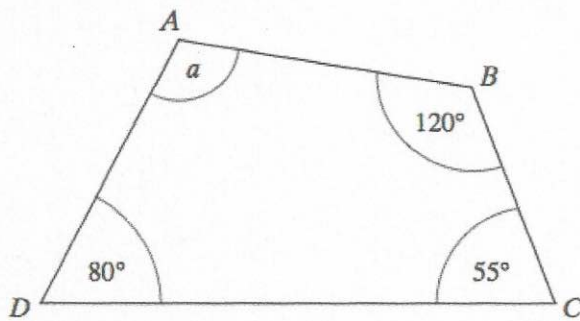


18th October



Corbettmaths



Find a

$$120 + 80 + 55 = 255$$

$$360 - 255 = \underline{105^\circ}$$

Three coffees cost £3.60.

What is the cost of twenty coffees?

$$£3.60 \div 3 = £1.20$$

$$£1.20 \times 20 = £24$$

£24

David has a spinner that has sections labelled 1 to 5.  
He spins the spinner 10 times.

Here are his scores.

1	4	4	2	3
4	5	1	4	1

Work out the range.

$$5 - 1 = 4$$

Find the mode.

4

A rugby team can win, draw or lose a match.

The table shows the probabilities of each result.

Calculate the missing probability in the table.

Result	Win	Draw	Lose
Probability	0.4	0.35	0.25

$$0.4 + 0.35 = 0.75$$

$$1 - 0.75 = 0.25$$

The rugby team play 20 games.  
Each win is worth 2 points.  
Each draw is worth 1 point.  
Each loss is worth 0 points.

$$0.4 \times 20 = 8 \text{ wins } (16)$$

$$0.35 \times 20 = 7 \text{ draws } (7)$$

$$0.25 \times 20 = 5 \text{ losses } (0)$$

Work out how many points the rugby team should receive in one season.

23 points