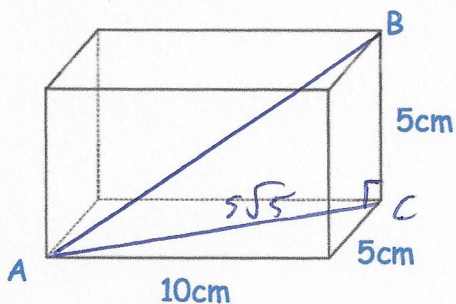


17th September



CorbettmOths



Work out the distance AB.

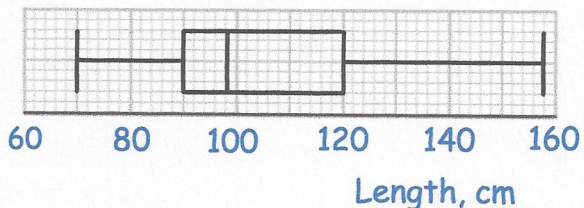
$$AC = 5\sqrt{5}$$

$$AB = \sqrt{150} = 5\sqrt{6} = 12.247 \text{ cm}$$

Expand and simplify

$$(x - 2)(x - 3)(x - 4)$$

$$x^3 - 9x^2 + 26x - 24$$



Work out the range

$$158 - 70 = 88$$

Work out the interquartile range

$$120 - 90 = 30$$

What percentage of trees are taller than 120cm?

$$25\%$$

Victor is y years old.
His brother Fred is four years old than Victor.
The product of their ages is 780.

$$y(y + 4) = 780$$

$$y^2 + 4y - 780 = 0$$

Set up an equation to represent this information and solve to find Fred's age.

$$(y - 26)(y + 30) = 0$$

$$y = 26$$

Fred is ~~26~~ ~~30~~ 30