

Examples

Workout

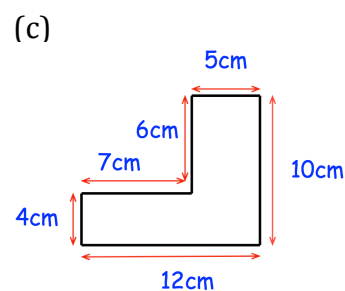
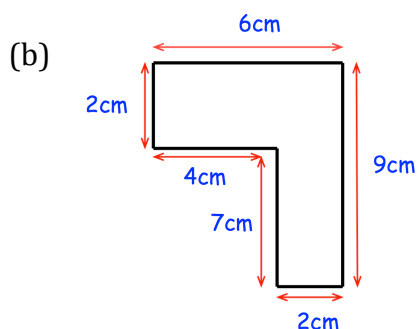
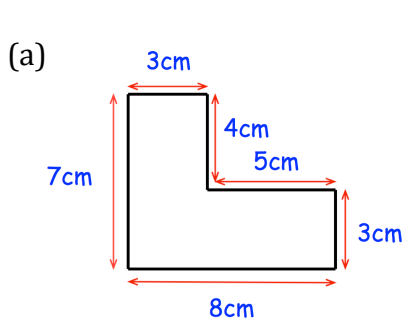


Click here

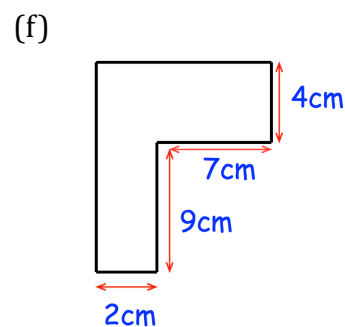
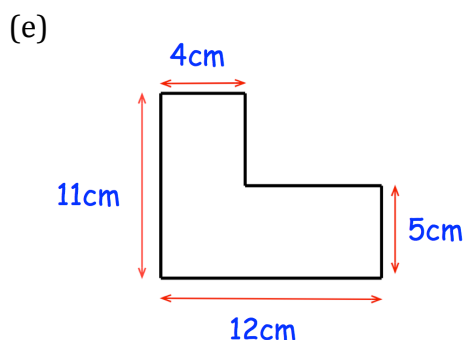
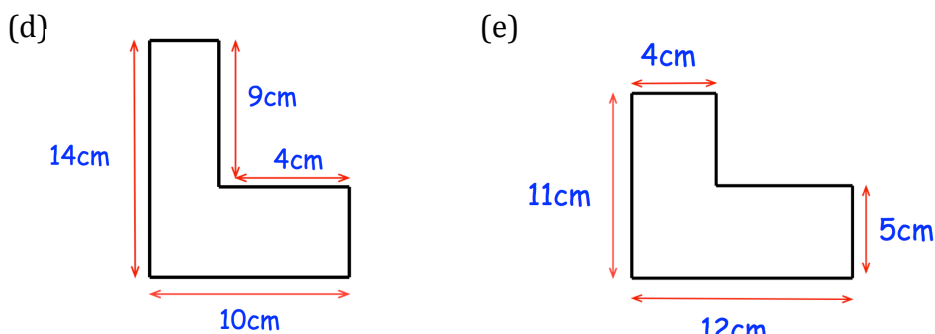
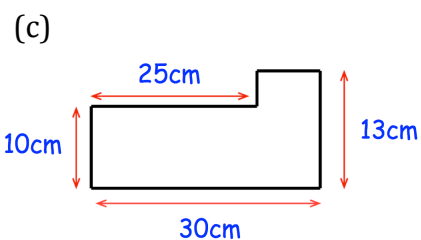
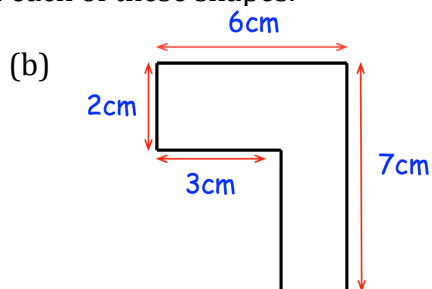
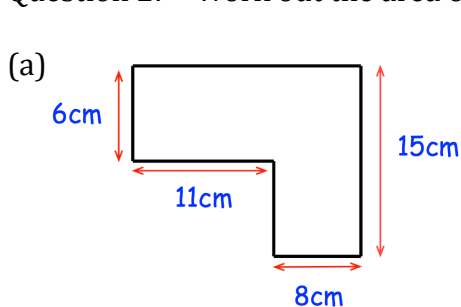


Scan here

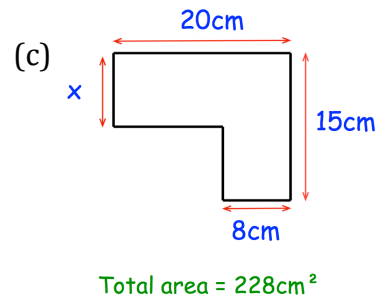
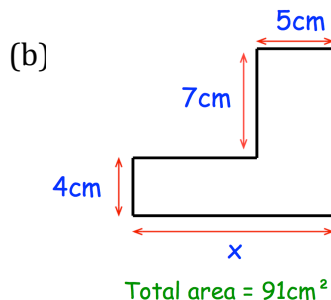
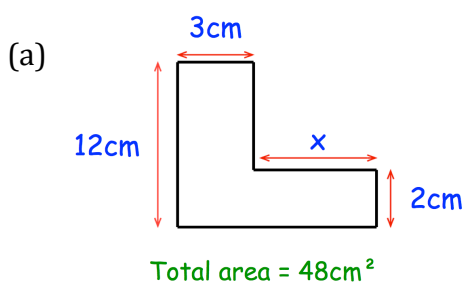
Question 1: Work out the area of each of these shapes.

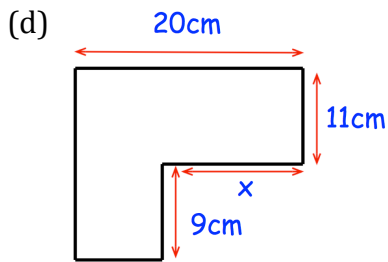


Question 2: Work out the area of each of these shapes.

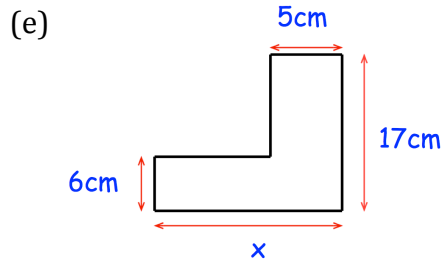


Question 3: The area of each shape is given.
Work out the size of the missing sides.





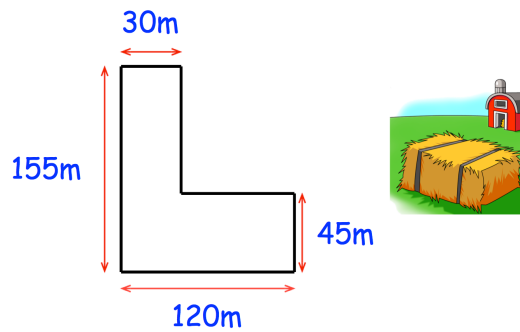
Total area = 283cm^2



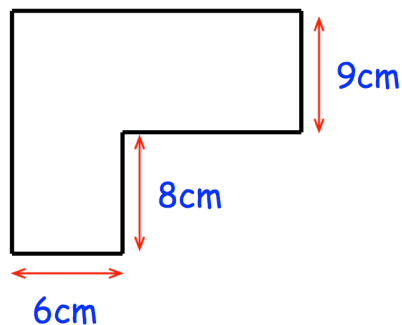
Total area = 151cm^2

Apply

Question 1: A farmer keeps ostriches in the field shown.
Each ostrich needs at least 12m^2
Calculate the maximum number of ostriches that he can keep.



Question 2: The perimeter of the shape below is 70cm
Calculate the area.



Answers



Click here



Scan here