

Surface Area: L-shaped Prism

Video 311 on Corbettmaths

Examples



Click here

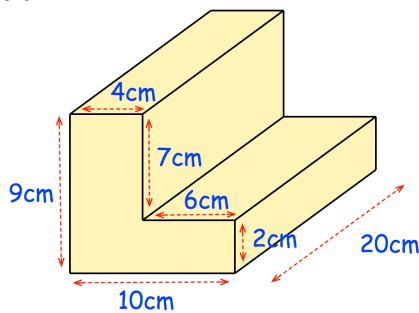


Scan here

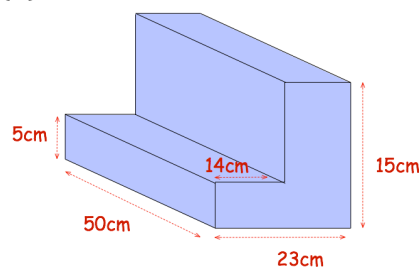
Workout

Question 1: Work out the surface area of each of the prisms below.

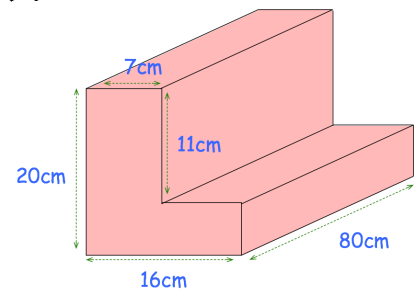
(a)



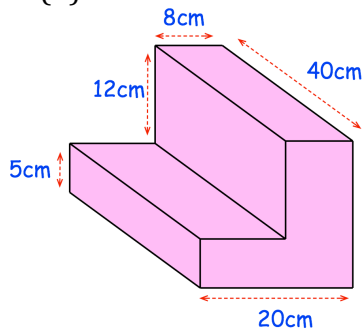
(b)



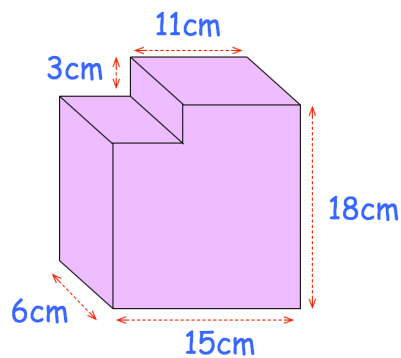
(c)



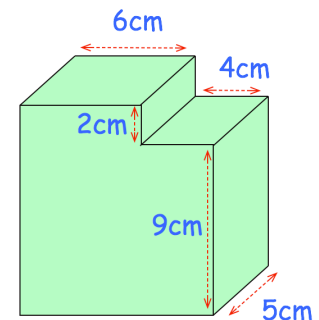
(d)



(e)

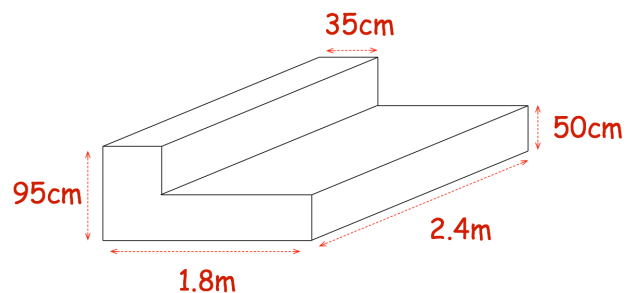


(f)



Apply

Question 1: Shown below is a prism.
Find the surface area of the prism.
Give your answer in m^2 .



Answers



Click here



Scan here