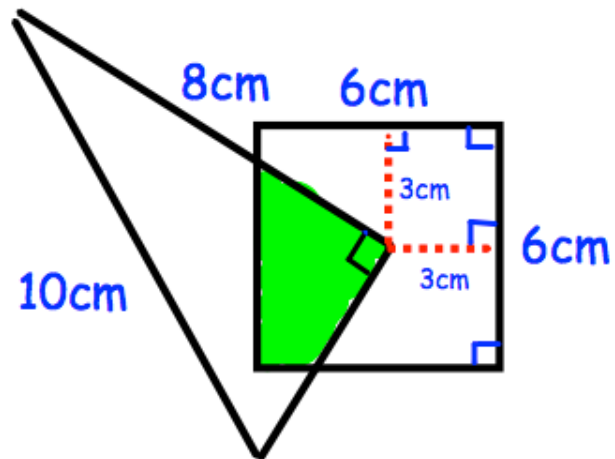


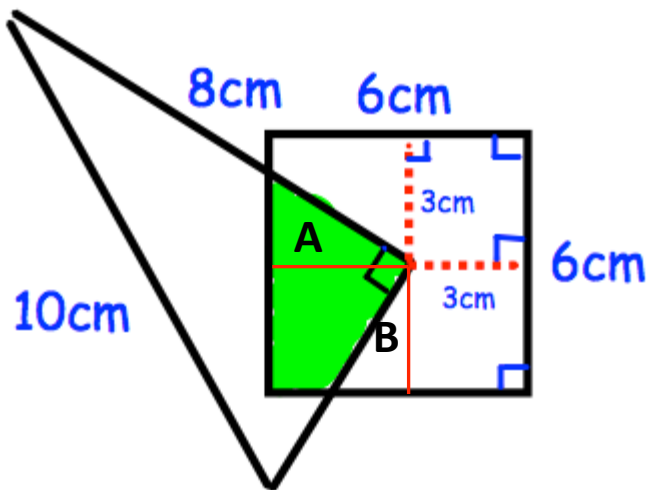
September 27th

Find the area of the shaded region.



The green area is exactly $\frac{1}{4}$ of the square, hence

$$\text{Area} = 36 \div 4 = \mathbf{9\text{cm}^2}$$



In the above diagram the areas of A and B are equal, therefore the green area is the same as a 3 x 3 square