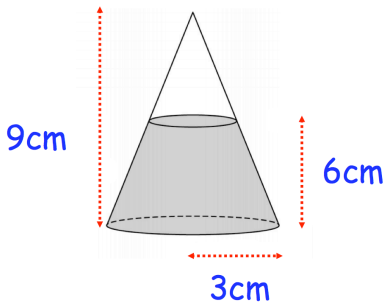


1st June



Corbettmaths



Find the volume of liquid in the container

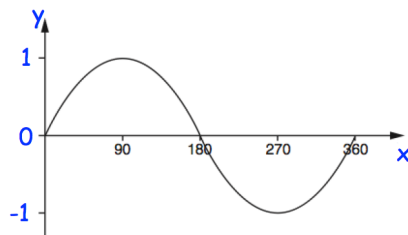
The table shows the waiting times of patients at a doctors surgery.

Time, $t$ (minutes)	Frequency
$0 < t \leq 10$	24
$10 < t \leq 20$	31
$20 < t \leq 30$	50
$30 < t \leq 40$	35
$40 < t \leq 50$	60

Find an estimate of the median wait time.

Two patients are picked at random. Find the probability that both patients waited more than 30 minutes.

Here is the graph of  $y = \sin(x)$  for  $0 \leq x \leq 360$



One solution of  $\sin x = -0.5$  is  $x = 330^\circ$   
Find another solution of  $\sin x = -0.5$

Solve the equations

$$2x + y = 11$$

$$2x^2 - y^2 = 23$$