

Name: _____

Level 2 Further Maths

Simultaneous Equations
(both linear)



Corbettmaths

Ensure you have: Pencil or pen

Guidance

1. Read each question carefully before you begin answering it.
2. Check your answers seem right.
3. Always show your workings

Revision for this topic

www.corbettmaths.com/more/further-maths/



1. Solve the simultaneous equations

$$2y = 4x - 18$$

$$2x = 15 + 3y$$

.....
(4)

2. Solve the simultaneous equations

$$3x + 11y = 100$$

$$6x + 28 = 2y$$

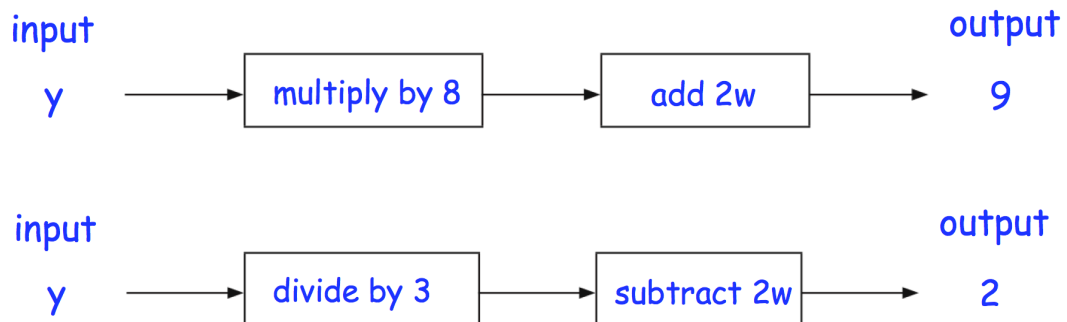
.....
(4)

3. Solve the simultaneous equations

$$\frac{y + 2}{x - 3} = -4 \qquad \frac{y - 6}{x + 5} = 2$$

.....
(5)

4. Here are two function machines, with the same input, y .



Work out the value of y

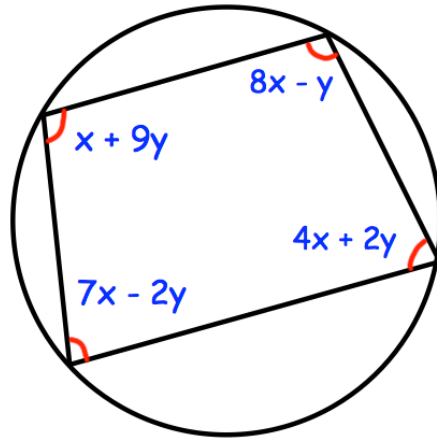
.....
(4)

5. Barry buys 200 pieces of stationery for £76.
Of the 200 pieces of stationery, x of them are rulers that cost 50p each and y of them are pens that cost 20p each.

Find how many rulers Barry buys and how many pens he buys.

Number of rulers Number of pens
(4)

6.



Shown is a cyclic quadrilateral.

Find the values of x and y .

$x = \dots\dots\dots$ $y = \dots\dots\dots$
(4)