

9th August

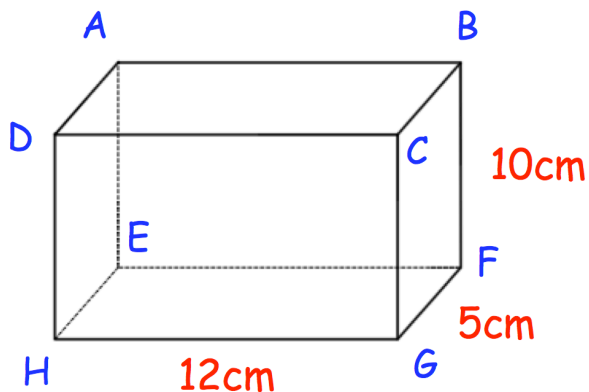


Corbettmaths

$$g(x) = 15 - x \quad h(x) = x^3$$

Solve $gh(x) = 140$

ABCDEFGH is a cuboid



Calculate the length of BH

Find the size of angle BHF

Sketch the graph of $y = 2^x$ The n th term of a sequence is $n^2 - 10n + 30$

By using completing the square, show that every term is positive.