

20th June

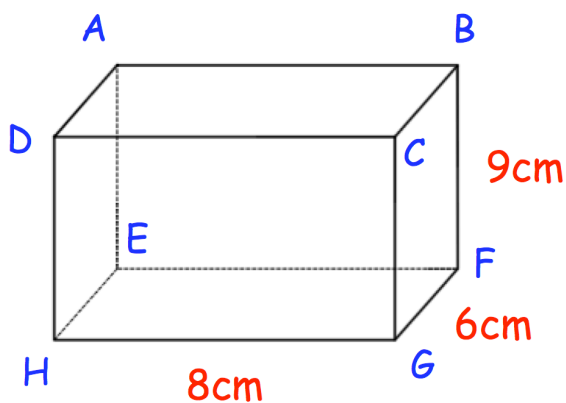


Corbettmaths

$$g(x) = 3 - x \quad h(x) = x^3$$

Solve $gh(x) = 30$

ABCDEFGH is a cuboid



Calculate the length of FH

Calculate the size of angle AGE

Sketch the graph of $y = 2^x$

Make c the subject of

$$\frac{5}{a} + \frac{b}{2} - \frac{7}{c} = 0$$