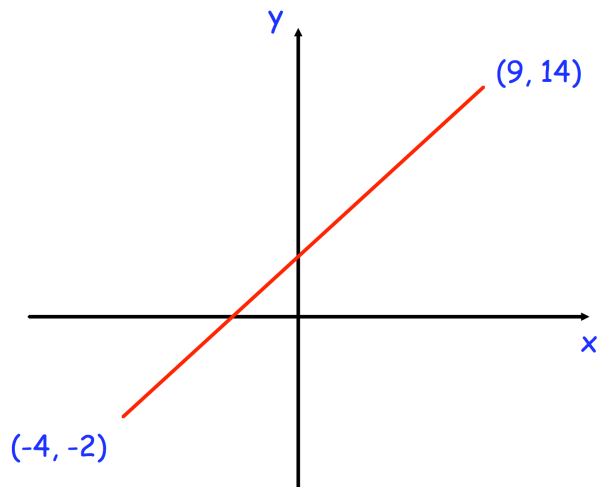
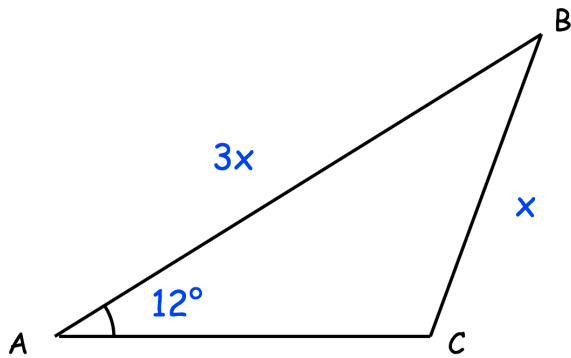


2nd April



Corbettmaths

Shown below is the graph of $y = f(x)$ Write down the domain of $f(x)$ Write down the range of $f(x)$  $\angle ACB$ is an obtuse angle.Find the size of angle $\angle ACB$ Solve $-\cos x = 5\sin x$ for
 $0^\circ \leq x \leq 360^\circ$